

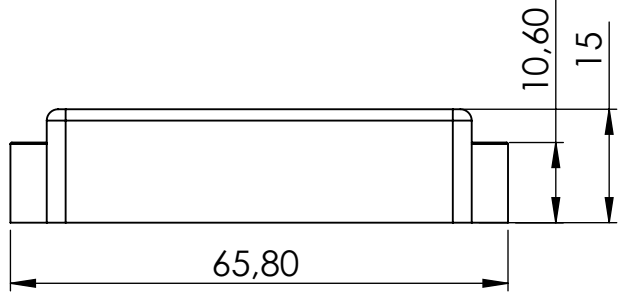
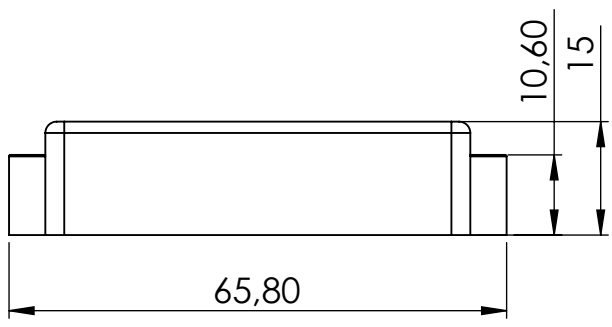
1

2

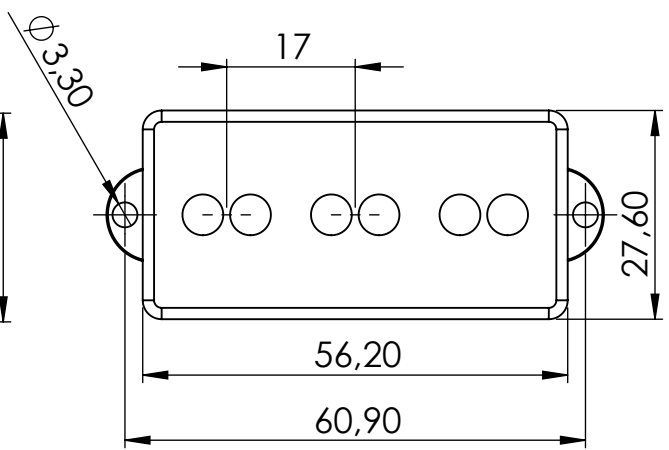
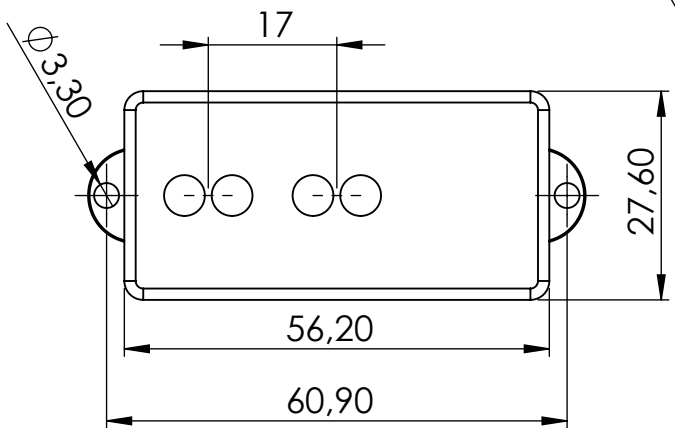
3

4

A



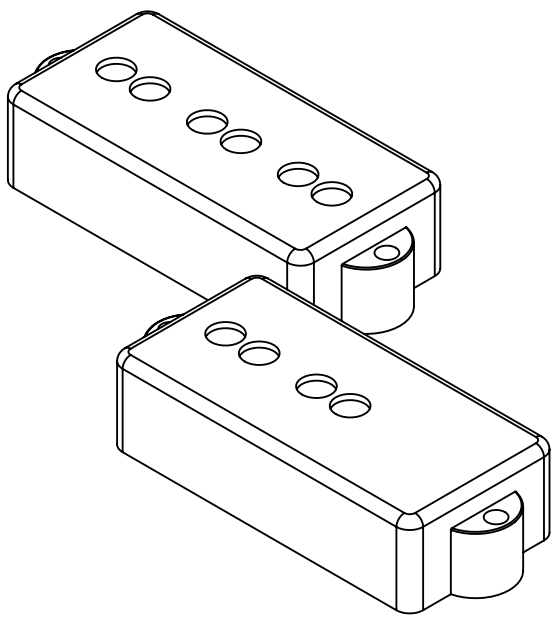
B



C

D

E



F

**Sadowsky**<sup>®</sup>

Warwick Gmbh & Co Music Equipment KG  
 Gewerbepark 46  
 D-08258 Markneukirchen  
 Tel : +49 (0) 37422 555 - 0  
 e-mail : info@warwick.de

	NAME	DATE
DRAWN		Mittwoch, 29. Januar 2025
CHK'D		A-01
Scale 1:1	SHEET 3 OF 3	<b>A4</b>

SAC PU P5  
 SAC PU P5 L

**Copyright**  
 This drawing is the property of Warwick Gmbh & Co Music Equipment KG.  
 The information given on it is protected by copyright and any form of copying or reproduction is strictly forbidden.