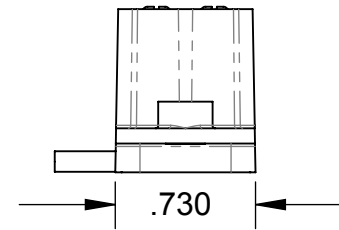
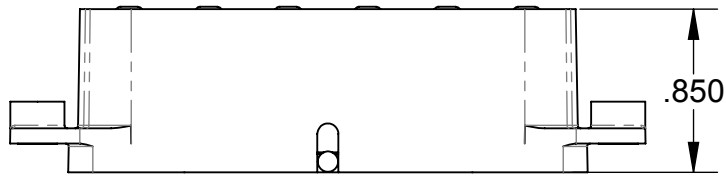
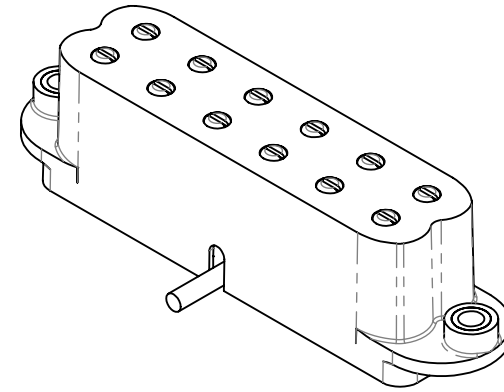
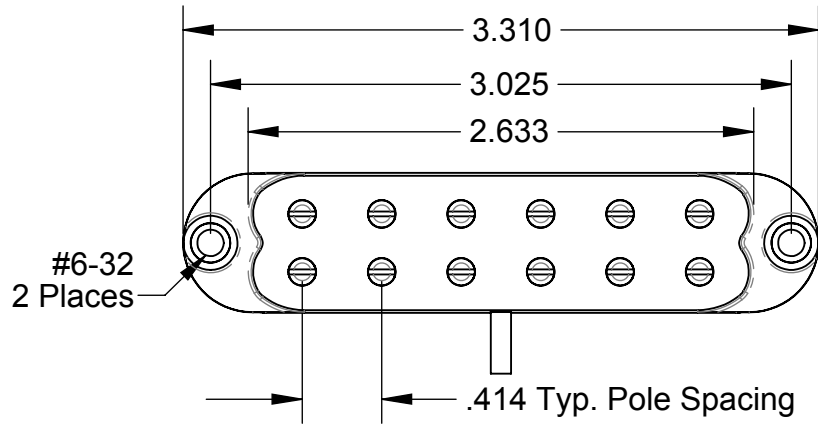


THE INFORMATION CONTAINED IN THIS DRAWING IS THE SOLE PROPERTY OF SEYMOUR DUNCAN RESEARCH. ANY REPRODUCTION IN PART OR WHOLE WITHOUT THE WRITTEN PERMISSION OF SEYMOUR DUNCAN RESEARCH IS PROHIBITED.

REVISIONS			
REV.	DESCRIPTION	DATE	APPROVED



UNLESS OTHERWISE SPECIFIED DIMENSIONS ARE IN INCHES TOLERANCES ARE: FRACTIONS DECIMALS ANGLES .XX ± .01 ± 1 .XXX ± .005	CAD GENERATED DRAWING, DO NOT MANUALLY UPDATE		SEYMOUR DUNCAN RESEARCH	
	APPROVALS	DATE		
	MATERIAL	DRAWN <i>Steven C.</i> 7/15/2014	Envelope Drawing Strat Sized HB	
	FINISH	CHECKED		
DO NOT SCALE DRAWING	RESP ENG <i>Kevin Beller</i> MFG ENG	SIZE A		
		QUAL ENG	SCALE : 1:1	Sheet 1 of 1