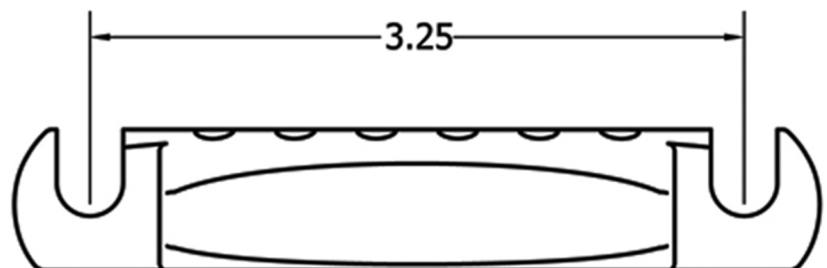
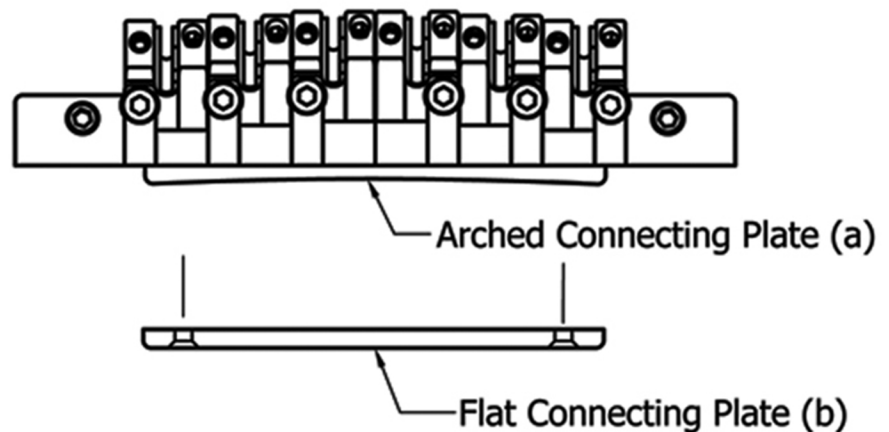
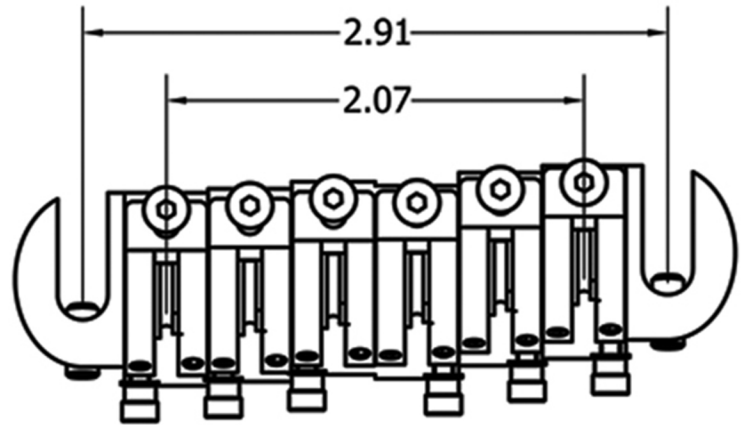


# Babicz Full Contact Hardware TUNE O Matic Bridge & Tailpiece Specs

## Includes:

- (1) Connecting Plate, Arched (a)
- (1) Connecting Plate, Flat (b)
- (3) Shimming Plates
- (2) M5 Bridge Studs with inserts.
- (2) M8 Bridge Studs with inserts.
- (2) M5 Tailpiece Studs with inserts.
- (2) M8 Tailpiece Studs with inserts.
- (2) Bridge Wave Washers
- (2) Bridge Flat Washers (optional)
- (1) 1.5 mm adjustment wrench
- (1) 2.0 mm ball end adjustment wrench



## CONFIDENTIAL & PROPRIETARY

NO PART OF THIS DRAWING MAY BE USED OR REPRODUCED WITHOUT THE WRITTEN CONSENT OF BABICZ DESIGN LTD, NOR SHALL ANY PART OF THIS DOCUMENT BE USED EXCEPT WITHIN THE TERMS LISTED UNDER AN AUTHORIZED AGREEMENT ISSUED BY BABICZ DESIGN LTD.

PROPERTY OF:  
BABICZ DESIGN LTD.

Drawing & Design  
by Jeffrey T. Babicz Sr.



All Dimensions = INCHES