

MANUAL



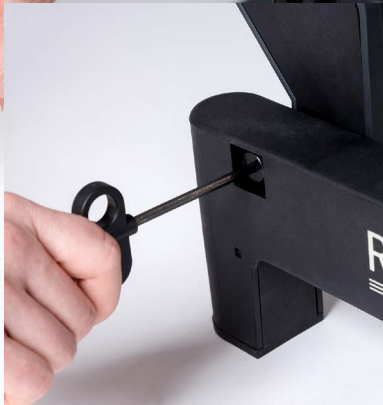
ROCKSTAND®
by WARWICK

THE ULTIMATE ROCK STAND

Dear Customer,

We hope that you will enjoy your new RockStand®.

Please read these instructions first to ensure you can use your RockStand® to its fullest extent.



HOW 2

Included with each RockStand® is an installation tool for easy conversion or the addition of our optional accessories.

V T 00

RS 20865 E



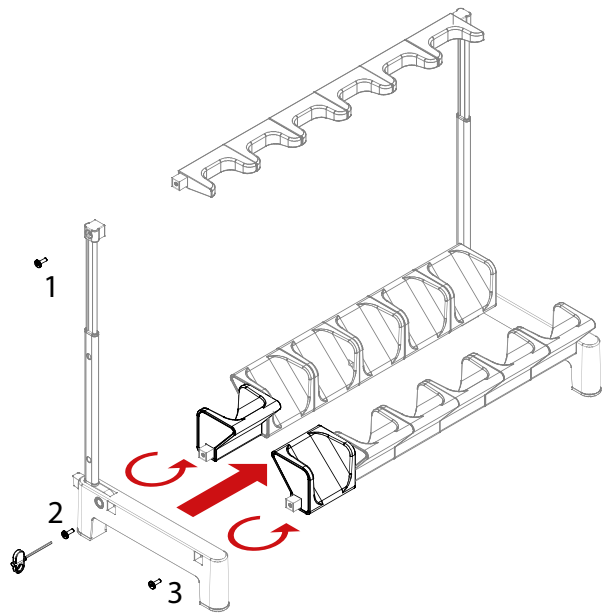
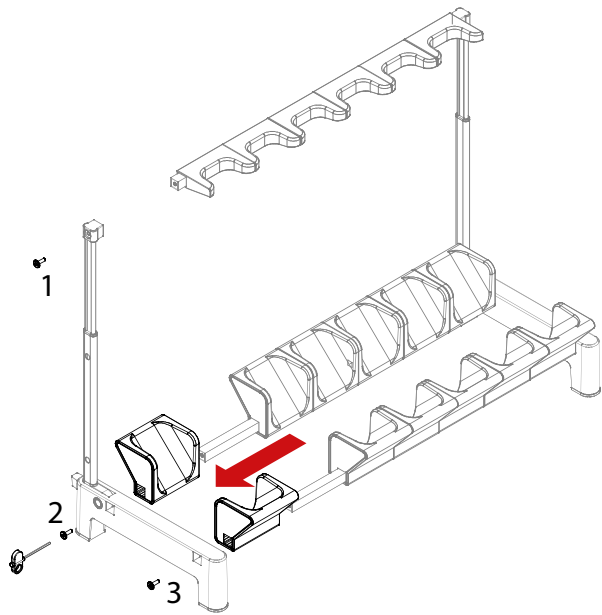
All electric guitar holders
can be reversed ...



... to fully accommodate
V-Style guitars.



V-TYPE GUITARS



B SAFE

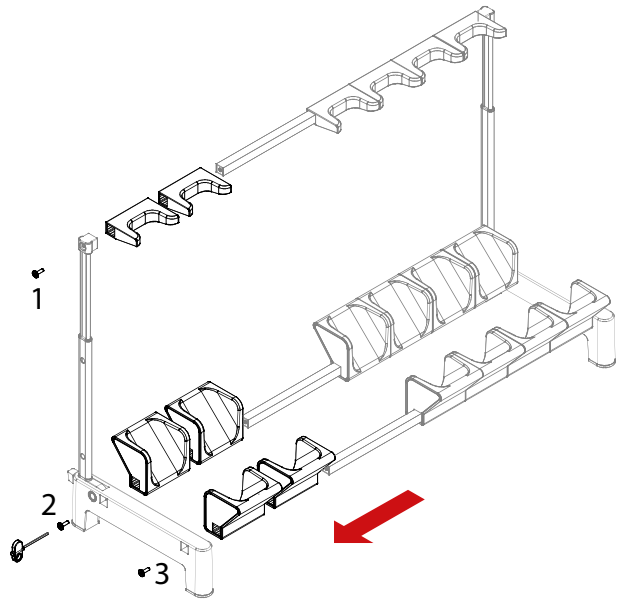
Electric guitar holders
can be exchanged for
acoustic guitar holders ...

... and vice versa.



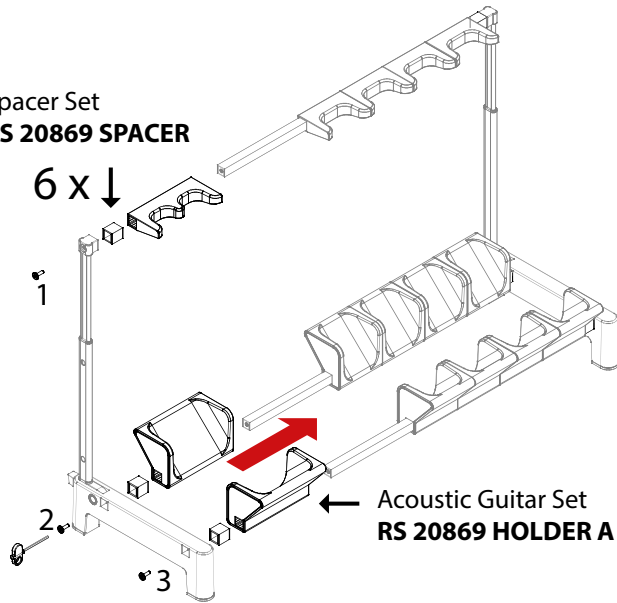
RS 2086 E

B SAFE



Spacer Set
RS 20869 SPACER

6 x ↓

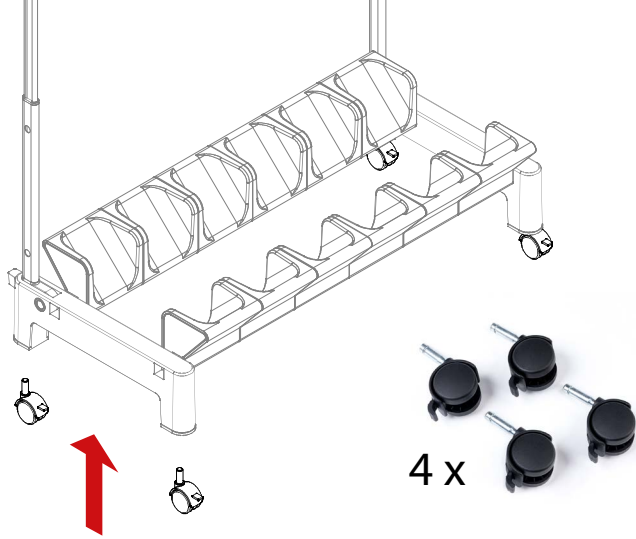


2 IN 1

Fit two electric guitars or basses side-by-side in an acoustic holder for even more options.



2 IN 1



ACCESSORIES

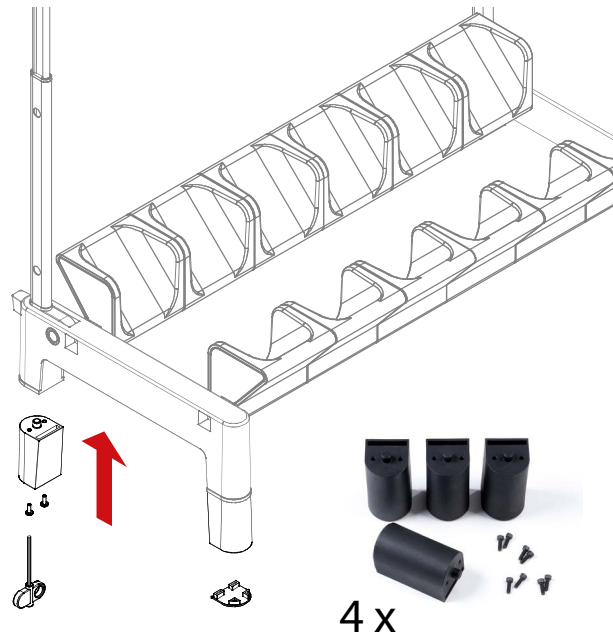


Wheel Set with Breaks
RS 20869 WHEELS

ACCESSORIES



RS 20869 BIGFOOT



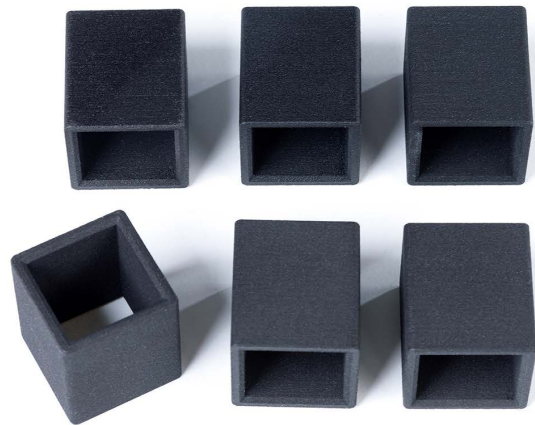
Stand Enhancement, e.g. for extremely long V-Style guitars



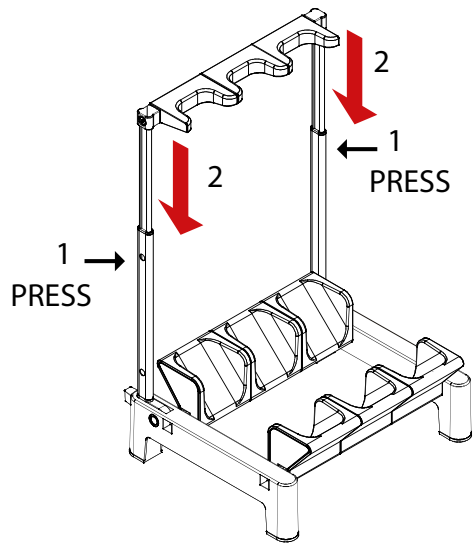
Acoustic Guitar Set **RS 20869 HOLDER A**

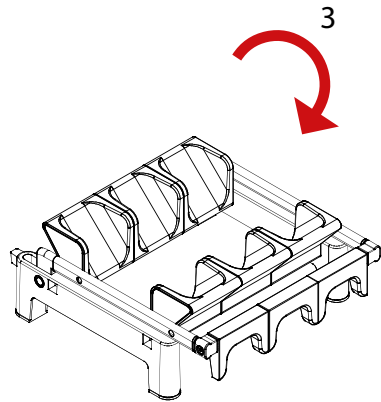
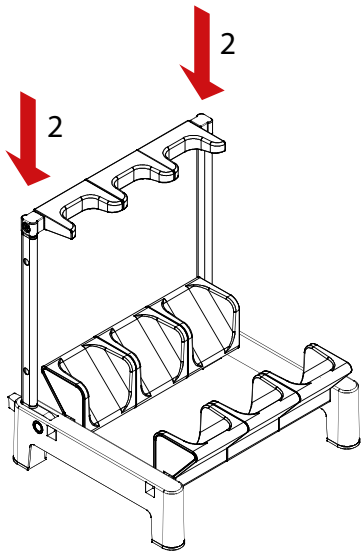


Electric Guitar Set **RS 20869 HOLDER E**



Spacer Set **RS 20869 SPACER**







REACH



ROCKSTAND®
by **WARWICK**

Patent Pending: CN 201810064202.0 | EP 18151860.6 | JP 2018-009023 | US 15/877,951

Product Design: SCHMIDT.LACKNER.DESIGN, Heidelberg, Germany

Warwick GmbH & Co Music Equipment KG, Gewerbepark 46, 08258 Markneukirchen/Germany
www.w-distribution.de | info@w-distribution.de