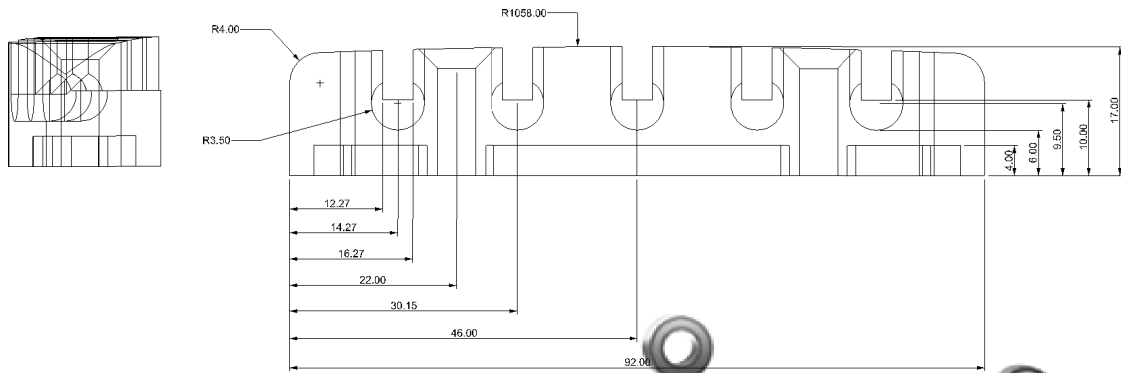


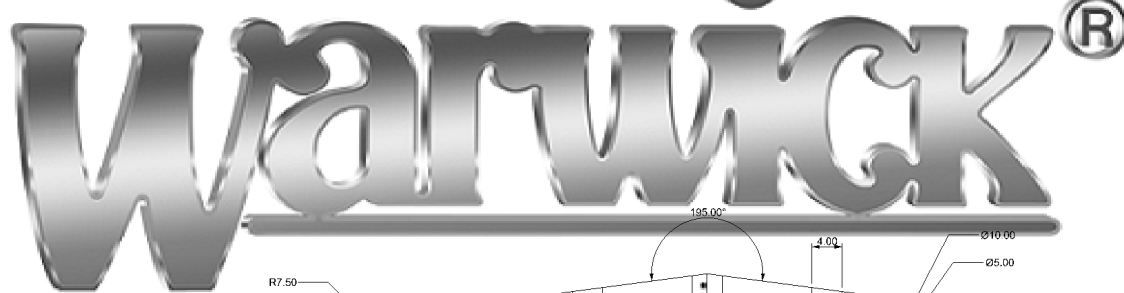
A

tailpiece 5 string

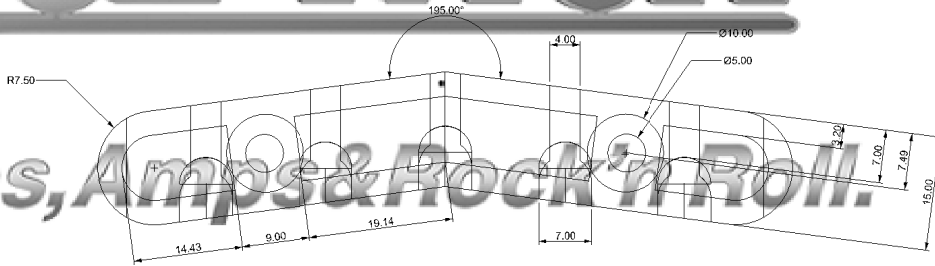
B



C

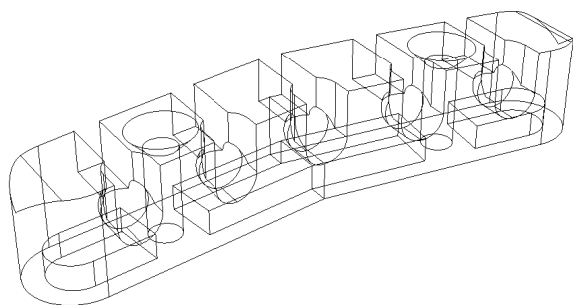


Basses, Amps & Rock 'n' Roll.



D

E



F

Warwick Gmbh & Co Music Equipment KG
 Gewerbepark 46
 D-08258 Markneukirchen
 Tel : +49 (0) 37422 555 - 0
 Fax : +49 (0) 37422 555- 9999
 e-mail : info@warwick.de

| | NAME | DATE |
|---|--------------|------------|
| DRAWN | | 29.09.2016 |
| Unless noted, all measurements are given in millimeters | | |
| Scale 1:1 | SHEET 1 OF 2 | A4 |

5 string Warwick Tailpiece
 Casted

Copyright
 This drawing is the property of Warwick Gmbh & Co Music Equipment KG.
 The information given on it is protected by copyright and any form of copying or reproduction is strictly forbidden.