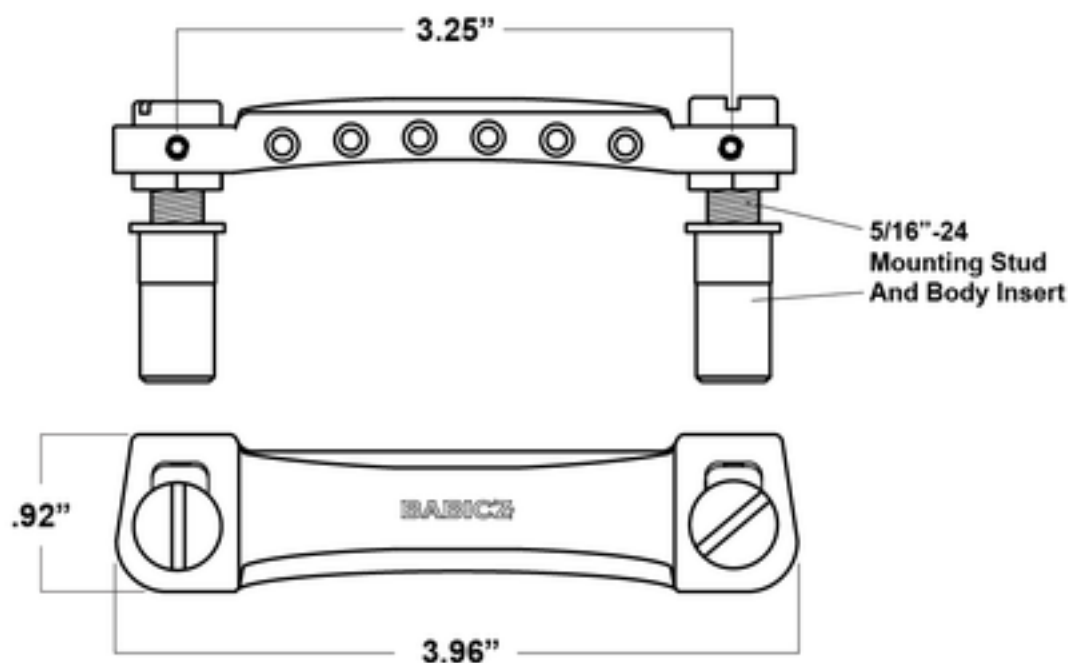
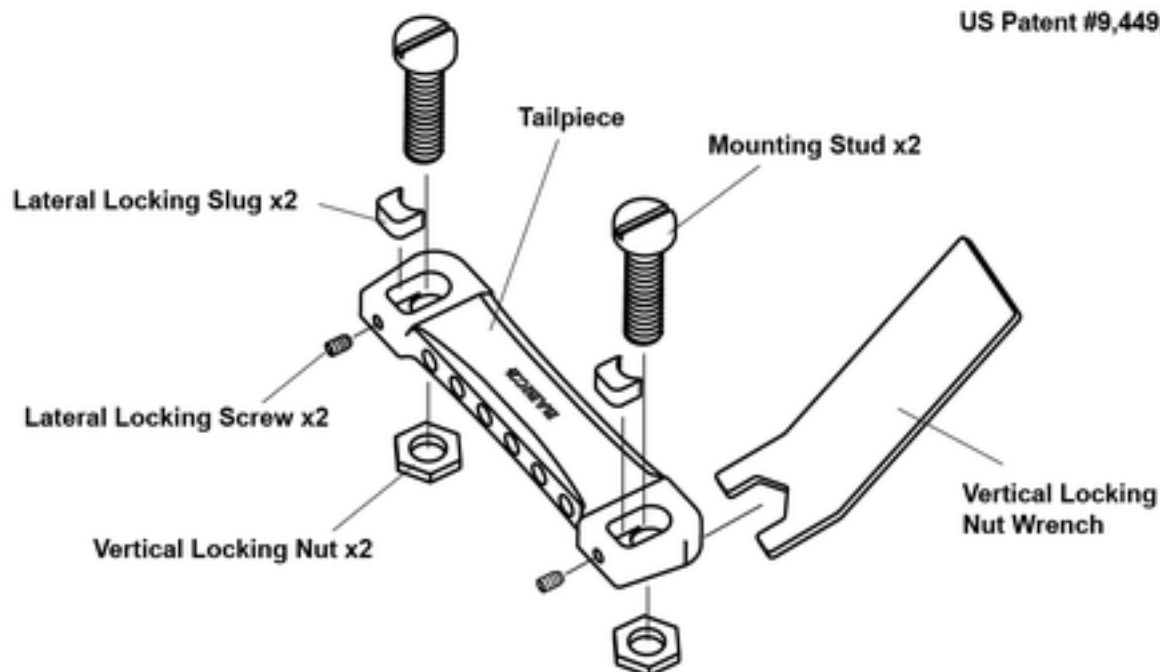


Babicz LX2 Twin Locking Tailpiece



US Patent #9,449,587



CONFIDENTIAL & PROPRIETARY

NO PART OF THIS DRAWING MAY BE USED OR REPRODUCED WITHOUT THE WRITTEN CONSENT OF BABICZ DESIGN LTD. NOR SHALL ANY PART OF THIS DOCUMENT BE USED EXCEPT WITHIN THE TERMS LISTED UNDER AN AUTHORIZED AGREEMENT ISSUED BY BABICZ DESIGN LTD.

PROPERTY OF:
BABICZ DESIGN LTD.

Drawing & Design
by Jeffrey T. Babicz Sr.



All Dimensions:
INCHES/METRIC
Not to scale