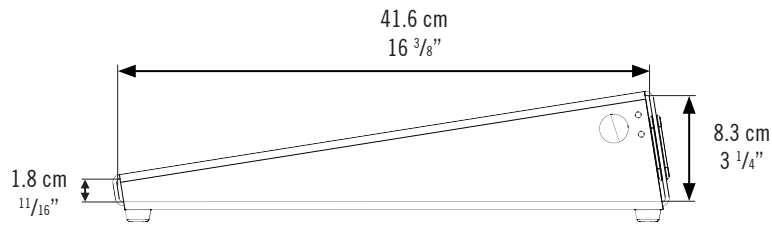




CINQUE 5.4

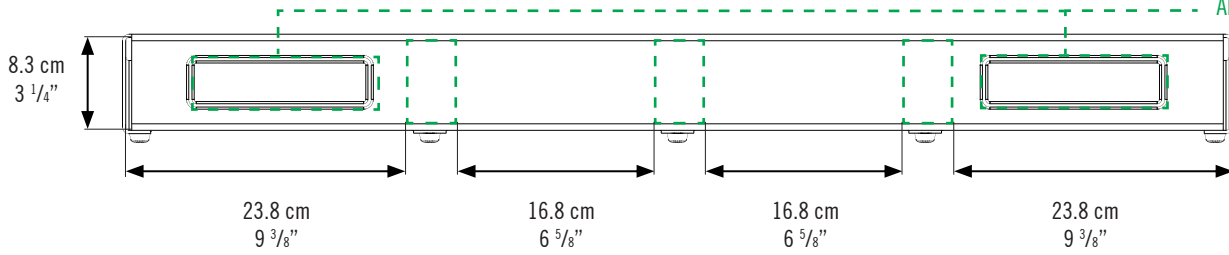
POWER SUPPLY PLACEMENT - MAXIMUM SPACE UNDERNEATH THE BOARD

SIDE VIEW

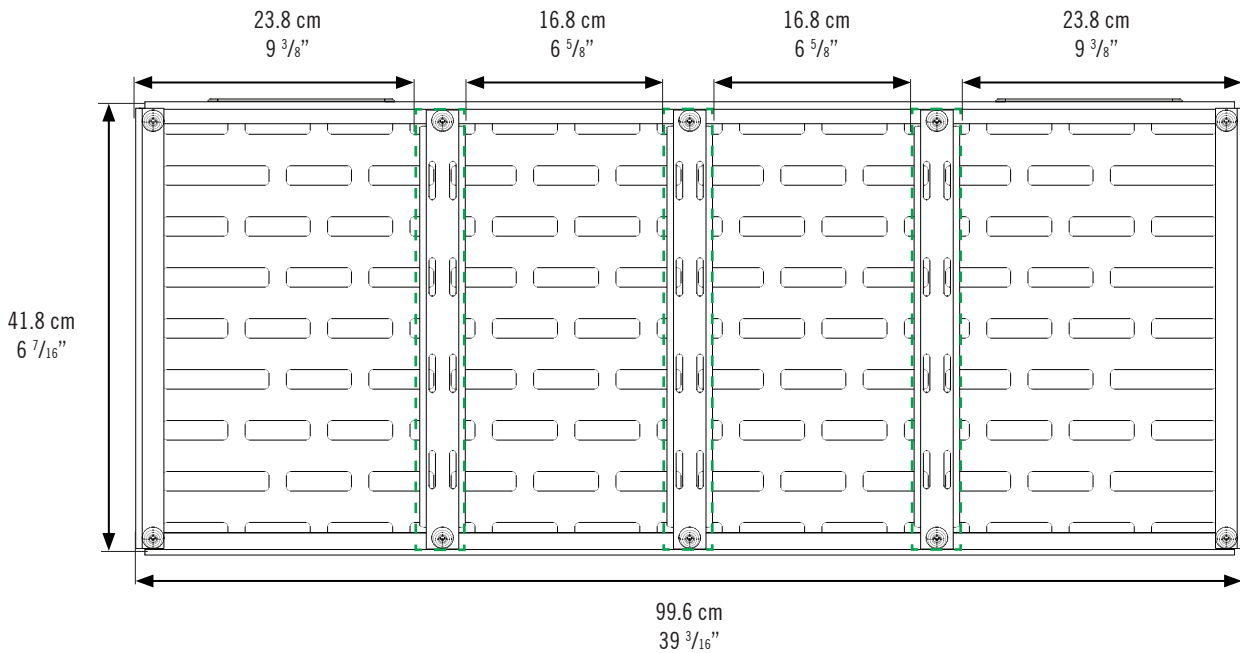


FRONT VIEW

MOD SLOT FOR OPTIONAL
MOUNTING OF ROCKBOARD
ALL-IN-ONE PATCHBAYS



UNDERNEATH VIEW

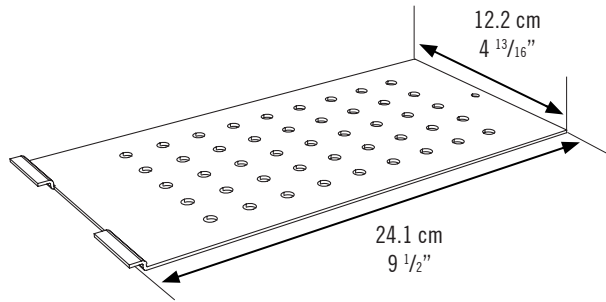




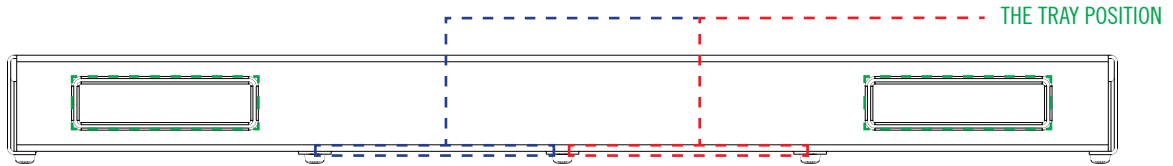
CINQUE 5.4

POWER SUPPLY PLACEMENT - MAXIMUM SPACE UNDERNEATH THE BOARD

THE TRAY

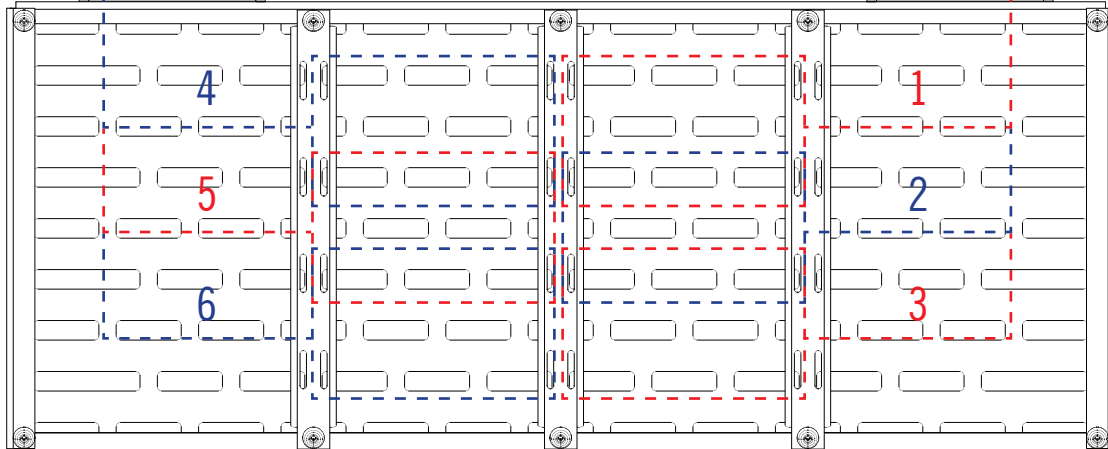


FRONT VIEW



UNDERNEATH VIEW

OPTIONAL TRAY POSITIONS (6 TOTAL)

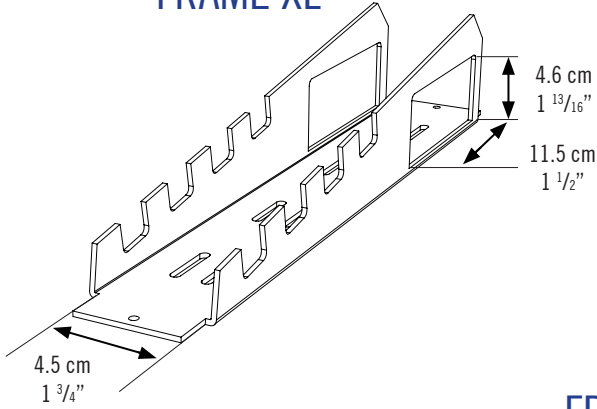




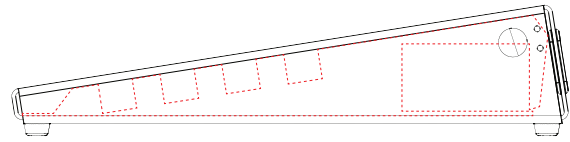
CINQUE 5.4

POSSIBLE POSITION FOR FRAME XL

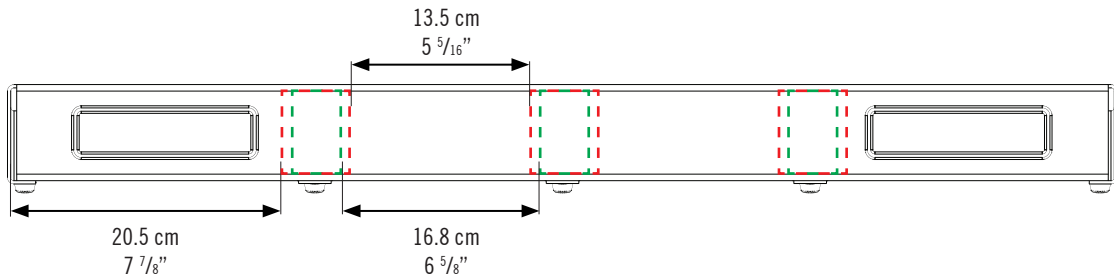
FRAME XL



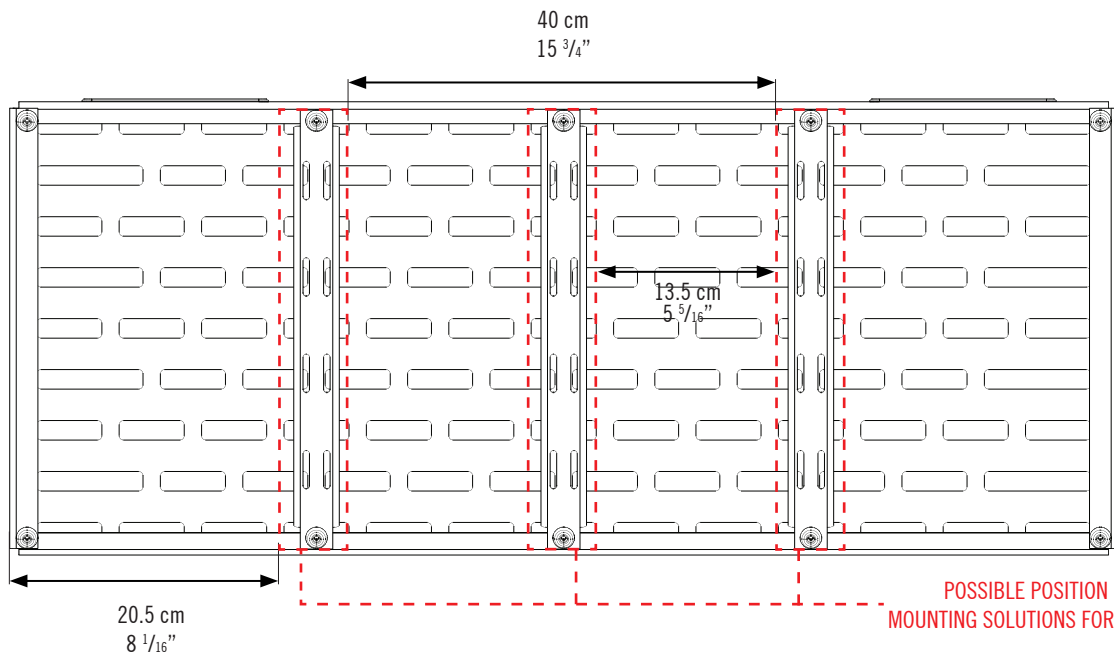
SIDE VIEW



FRONT VIEW



UNDERNEATH VIEW



POSSIBLE POSITION FOR FRAME XL
MOUNTING SOLUTIONS FOR XL POWER SUPPLIES