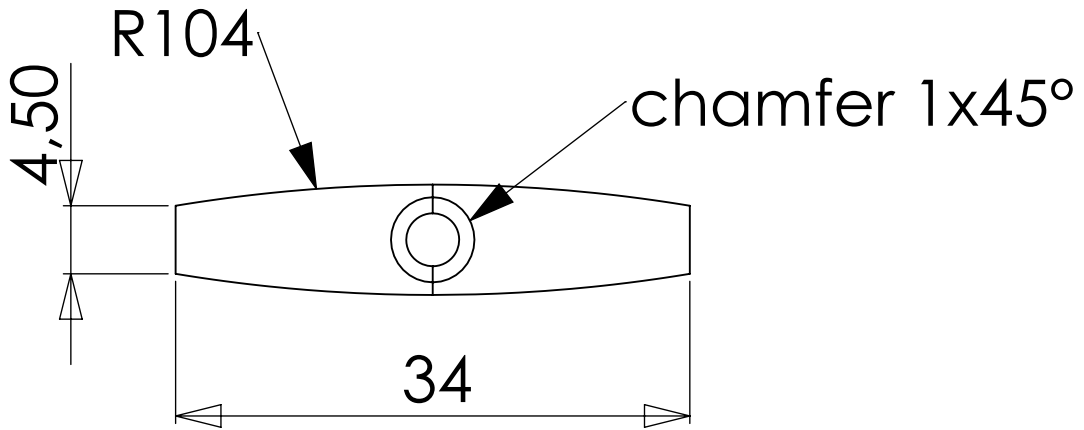
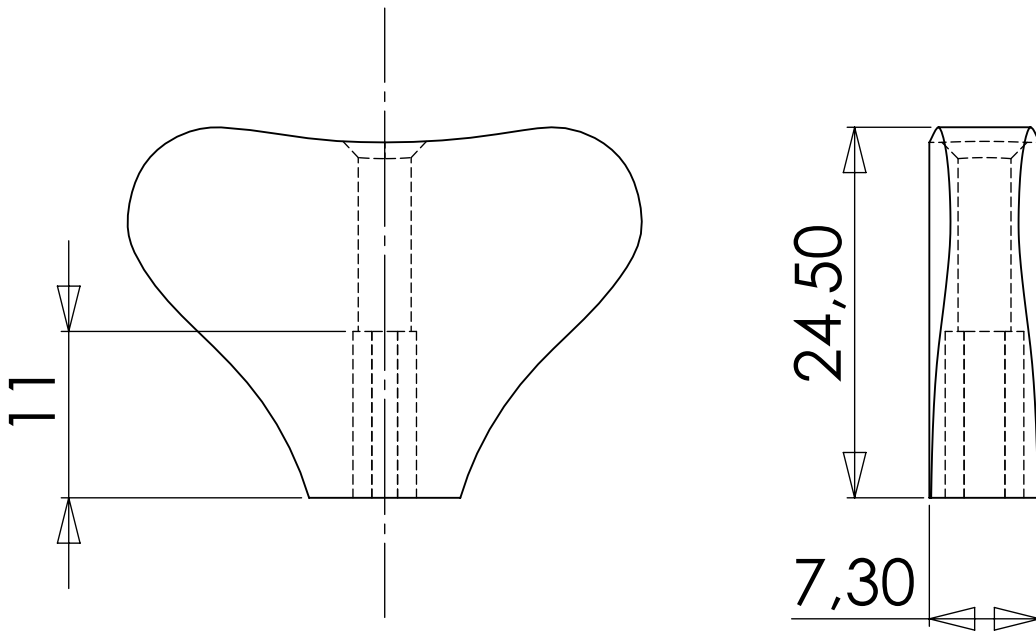


A

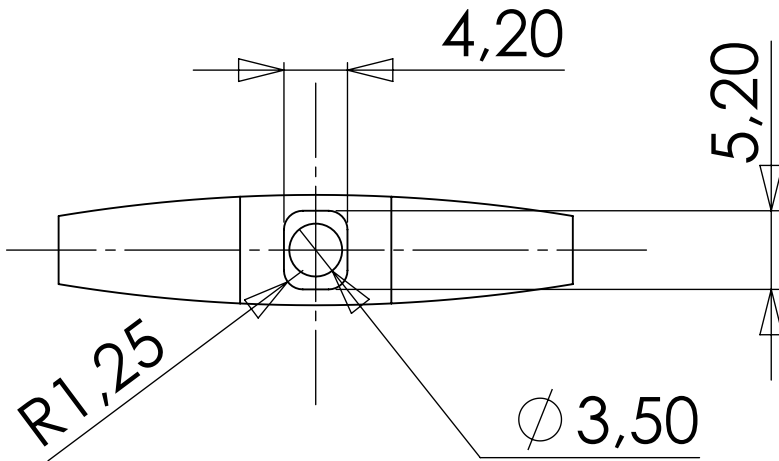


B

C



D



E

**warwick®**

Warwick Gmbh & Co Music Equipment KG  
 Gewerbepark 46  
 D-08258 Markneukirchen  
 Tel : +49 (0) 37422 555 - 0  
 Fax : +49 (0) 37422 555- 9999  
 e-mail : info@warwick.de

F

	NAME	DATE
DRAWN		
CHK'D		A-01
Scale 2:1	SHEET 2 OF 2	A4

SP W 30040  
 Wooden Tuning Peg

**Copyright**  
 This drawing is the property of Warwick Gmbh & Co Music Equipment KG.  
 The information given on it is protected by copyright and any form of copying or reproduction is strictly forbidden.