

MOOER

HORNET SERIES

30 Watt Combo

Owner's Manual

CONTENTS

Precautions	01
MOOER HORNET	02
Main Features.....	03
Top Panel Layout	03-04
Back Panel Layout	05
Modes and Saving	05
Wireless BT Connection	07-08
Technical Parameters	09

Precautions

PLEASE READ CAREFULLY BEFORE PROCEEDING

Power Supply

Please connect the DC POWER Supply to an AC outlet of the correct voltage. Please be sure to use only an AC adapter which supplies 24V DC, $\oplus\text{---}\ominus$, center negative. Unplug the AC power adapter when not in use or during electrical storms.

Connections

Always turn off the power of this and all other equipment before connecting or disconnecting, this will help prevent malfunction and / or damage to other devices. Also make sure to disconnect all connection cables and the power cord before moving this unit.

Cleaning

Clean only with a soft, dry cloth. If necessary, slightly moisten the cloth. Do not use abrasive cleanser, cleaning alcohol, paint thinners, wax, solvents, cleaning fluids, or chemical-impregnated wiping cloths.

Interference with other electrical devices

Radios and televisions placed nearby may experience reception interference. Operate this unit at a suitable distance from radios and televisions.

Location

To avoid deformation, discoloration, or other serious damage, do not expose this unit to the following conditions:

- Direct sunlight
- Magnetic fields
- Excessive dusty or dirty location
- Strong vibrations or shocks
- Heat sources
- Extreme temperature or humidity
- High humidity or moisture

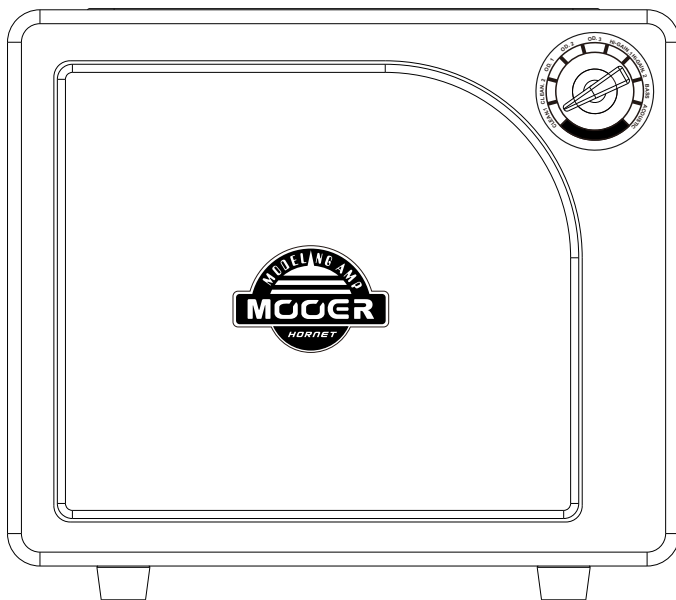
FCC certification

This device complies with Part 15 of the FCC Rules. Operation is subject to the following two conditions:

- This device may not cause harmful interference.
- This device must accept any interference received, including interference that may cause undesired operation.

MOOER HORNET

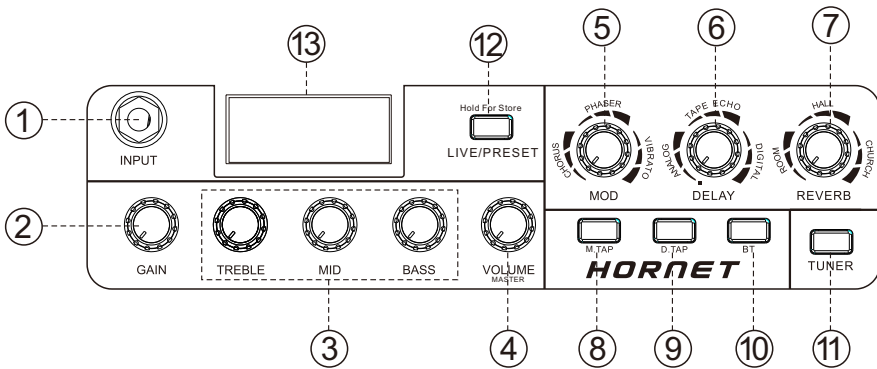
Congratulations on your purchase of the MOOER HORNET 30 watt digital modeling combo amplifier. We recommend reading this manual in full to see all of the features that your new Hornet has to offer. We hope you enjoy playing with your new HORNET from MOOER.



Main Features

- 9 high quality digital amp models based on popular guitar amplifiers
- Built in Modulation, Delay and Reverb effects with independent tap tempo for each 2 modes of operation (Live/Preset)
- Store and recall up to 9 presets
- Highly sensitive precision tuner
- Wireless BT connectivity and AUX IN for media playback
- Dedicated headphones output
- 8-inch custom speaker, 30W RMS
- DC 24V 1.6 A centre pin negative

Top Panel Layout



01 INPUT

Connect instrument using a 1/4" jack cable

02 GAIN

Adjusts the input gain of the amplifier

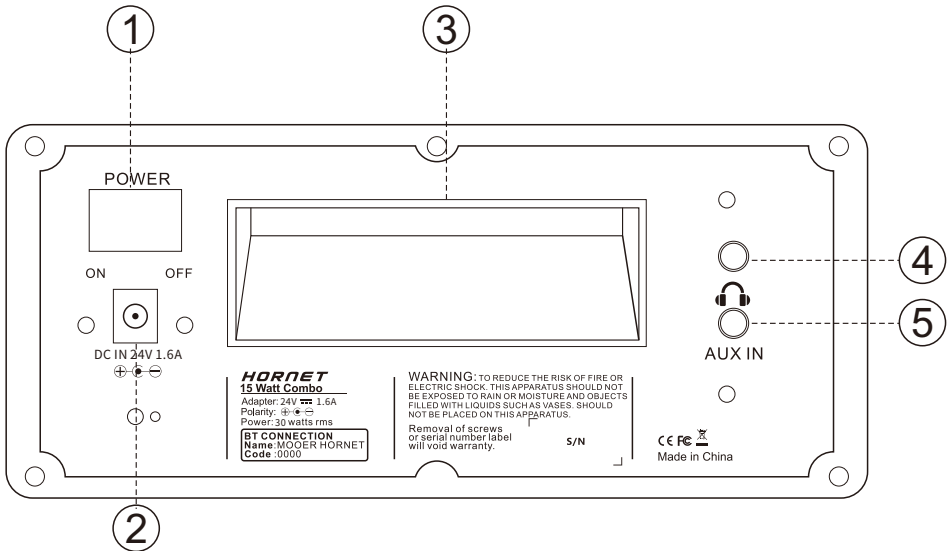
03 TONE STACK

STACK TREBLE MID BASS three band EQ

- 04 VOLUME**
Adjusts the output volume of the guitar amplifier and preset volume
- 05 MOD**
Rotate to select and adjust the modulation effects (CHORUS, PHASER, FLANGER).The DEPTH value of those effects could be adjusted.
- 06 DELAY**
Rotate to select and adjust the delay effect type (ANALOG, TAPE ECHO, DIGITAL).The LEVEL and FEEDBACK of effects could be adjust simultaneously.
- 07 REVERB**
Rotate to select and adjust the reverb effect type (ROOM, HALL, CHURCH). When this control is fully counter clockwise the reverb effects are not active
- 08 M.TAP**
Tap tempo control for MOD effects. Simply tap the button 2 or more times and the effect will synchronize to your tempo
- 09 D.TAP**
D.TAP Tap tempo control for DELAY effects. Simply tap the button 2 or more times and the effect will synchronize to your tempo
- 10 BT**
Press to toggle the BT wireless receiver on/off. (PAIRING CODE:0000)
- 11 TUNER**
Press once to toggle the guitar tuner on/off.
Hold to edit the global volume output of HORNET.(Page6)
- 12 LIVE/PRESET**
Press once to toggle between Live mode and Preset mode.
The button will illuminate when the amplifier is in Preset mode.
Hold to store current settings in the Amp model for preset mode.(Page5)
- 13 LED SCREEN**
Displays various information such as amp model, tuning functions, etc.

FACTORY RESET Power on Hornet, press and hold the BT button, Hornet will be booted to RESET mode as the LED button and screen blinks. Press LIVE/PRESET button to confirm reset. Press any other button to exit reset.

Back Panel Layout



01 POWER

Used to switch the Hornet on/off

02 DC IN

Connect the included power supply.

DC 24V 1.6A centre pin negative

03 **Built-in carry handle:** Suitable for transportation.

04 Headphone output

Standard 1/8" headphone jack socket for silent practice

05 AUX IN

Connect an external device for audio playback using a standard

1/8" stereo jack cable

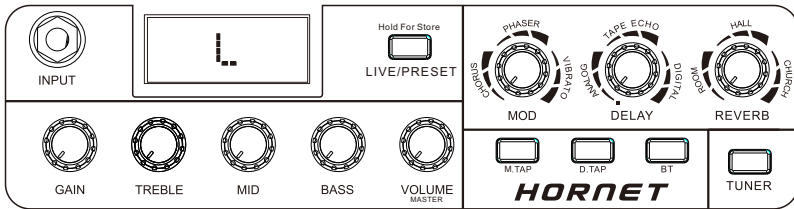
Modes and Saving

There are two modes of operation for the HORNET. Press the LIVE/PRESET button to toggle between these two modes. In both modes rotate the AMP MODEL control on the front of the HORNET to select a different amp model.

LIVE MODE

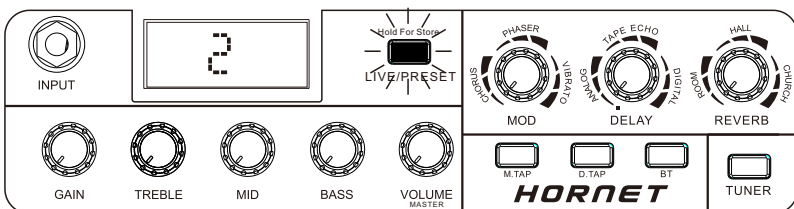
In live mode all parameters are depicted directly by their respective controls, like a traditional amplifier.

The **LED SCREEN** will display "L" and the LIVE/PRESET button will not be illuminated.



PRESET MODE

In Preset mode you can store your settings for each amp model. Each of the amp models will recall all parameter values which were previously stored when selected, regardless of the parameter controls physical positions. The LED SCREEN will display a number from 1-9 to indicate which amp model is currently selected and the LIVE/PRESET button will be illuminated.



SAVING AMP SETTINGS

To save settings for the currently selected amp model, hold the **LIVE/PRESET** button for a couple of seconds after creating the tone you want. The **LED SCREEN** and the **LIVE/PRESET** button will flash 4 times to confirm the settings have been saved. Next time you select that amp model whilst in "**PRESET MODE**" the settings will be recalled. You can store settings for the amp models preset whilst in either of the operation modes.

GLOBAL VOLUME CONTROL

Hornet has the added feature of a Global volume control. This will adjust the overall output of Hornet and will affect the guitar, presets and audio playback from external devices.

Hold the **TUNER** button for several seconds until it begins to flash. The **LED SCREEN** will display a number between 1 and 9. Rotate the **VOLUME** control to adjust this parameter.

By default this will be set at full volume (9) from the factory

Wireless BT Connection

- Press the space BT button to switch on BT connectivity
- Ensure that the BT is active on the device you wish to pair with the Hornet and that your device is discoverable
- Search in available devices for "MOOER HORNET" select connect on your device to pair it with your Hornet amplifier. If it requests a password, enter "0000"
- Once paired you can now playback music wirelessly via you Hornet amplifier



The HORNET 30 is available in 2 different colors. Each version has a different set of 9 amp models which are accessible via the AMP MODEL control on the front of the amplifier. Here's a breakdown of the amp models in each version of the HORNET

HORNET 30 WHITE		
Number	Name	Modeled and based on
1	Clean. 1	Based on FENDER 65 TWIN REVERB NORMAL CHANNEL
2	Clean. 2	Based on MESA BOOGIE MARK III CLEAN CHANNEL
3	OD. 1	Based on FENDER BLUES DELUXE OD CHANNEL
4	OD. 2	Based on MARSHALL PLEXI 100
5	OD. 3	Based on TWO ROCK CORAL OD CHANNEL
6	Hi-Gain. 1	Based on MARSHALL JCM900
7	Hi-Gain. 2	Based on MESA BOOGIE MARK III LEAD CHANNEL
8	Bass	Based on AGUILAR DB 715
9	Acoustic	Based on MOOERACOUSTIC

*the mentioned manufacturer and product names are trademarks or registered trademarks of their respective owners, the trademarks were used merely to identify the sound character of this product.

HORNET 30 BLACK		
Number	Name	Modeled and based on
1	JZ CLEAN	Based on ROLAND Jc120
2	F.CLEAN	Based on FENDER TWIN REVERB
3	PL 100	Based on MARSHALL PLEXI LEAD 100
4	PV 5150	Based on BROWN SOUND
5	TRIPLE	Based on MESA TRIPLE RECTIFIER
6	MK IV	Based on MESA MK IV
7	POWER DS	Based on ENGL POWERBALL
8	MOGNER	Based on BOGNER UBERSCHALL
9	MOOER MT	Based on MOOER METAL

*the mentioned manufacturer and product names are trademarks or registered trademarks of their respective owners, the trademarks were used merely to identify the sound character of this product.

Technical Parameters

Inputs:	1/4" instrument signal input interface (impedance 1M) 3.5MM AUX IN audio interface (impedance 10K)
Output:	3.5MM headphone stereo audio interface (impedance 47 ohms)
Sampling rate:	48K
Sampling accuracy:	32bit
Power supply:	DC 24V \geq 1.6A Power adapter (internal negative external)
Size:	340 (w) x 280 (D) x 280mm (H)
Speaker:	8" impedance of 8 ohms
Rated power:	30W
Peak power:	45W
Weight:	4kg
Accessories:	User Manual, Power supply

MOOER
www.moeraudio.com

SHENZHEN MOOER AUDIO CO. LTD
6F, Unit D, Jinghang Building, Liuxian 3rd Road,
Bao'an 71 District, Shenzhen, China. 518133
MADE IN CHINA

