

A

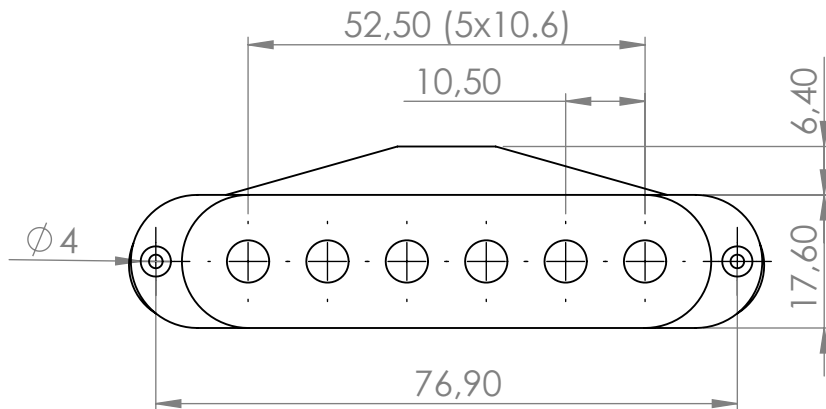
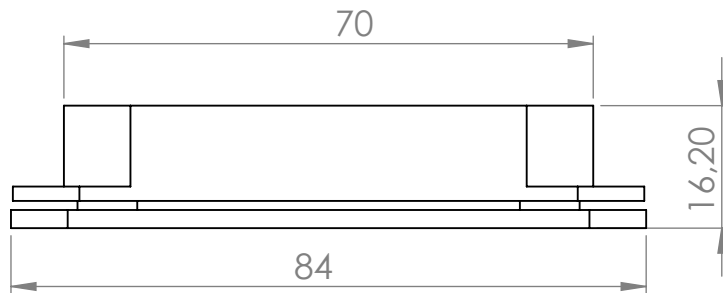
B

C

D

E

F



dimensions in mm



Warwick Gmbh & Co Music Equipment KG  
 Gewerbepark 46  
 D-08258 Markneukirchen  
 Tel : +49 (0) 37422 555 - 0  
 Fax : +49 (0) 37422 555- 9999  
 e-mail : info@warwick.de

|       | NAME       | DATE                      |
|-------|------------|---------------------------|
| DRAWN | Niedermair | Dienstag, 8.Dezember 2020 |
| CHK'D |            | A-01                      |
|       | Scale 1:1  | SHEET 1 OF 1              |

M 60301

**Copyright**  
 This drawing is the property of Warwick Gmbh & Co Music Equipment KG.  
 The information given on it is protected by copyright and any form of copying or reproduction is strictly forbidden.