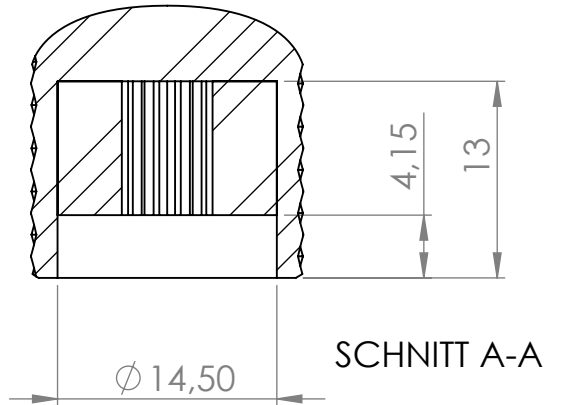
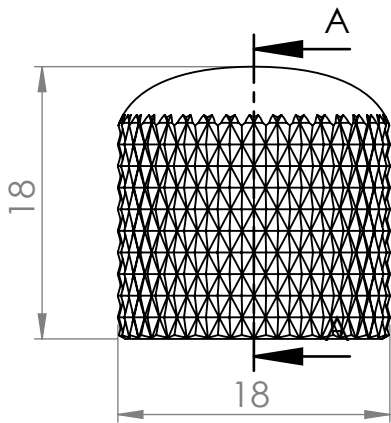


A

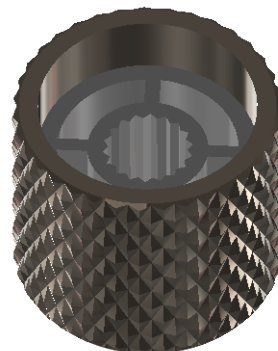
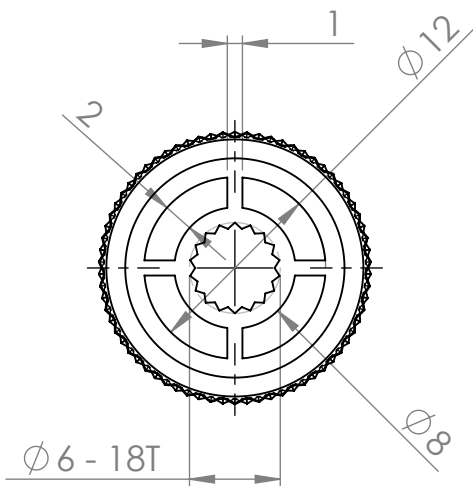


B

C

D

E



F

**Warwick®**

Warwick Gmbh & Co Music Equipment KG  
 Gewerbepark 46  
 D-08258 Markneukirchen  
 Tel : +49 (0) 37422 555 - 0  
 Fax : +49 (0) 37422 555- 9999  
 e-mail : info@warwick.de

	NAME	DATE
DRAWN		Donnerstag, 3. Februar 2022
CHK'D		A-01
	Scale 2:1	SHEET 6 OF 9
		<b>A4</b>

SP 30422 N

**Copyright**  
 This drawing is the property of Warwick Gmbh & Co Music Equipment KG.  
 The information given on it is protected by copyright and any form of copying or reproduction is strictly forbidden.