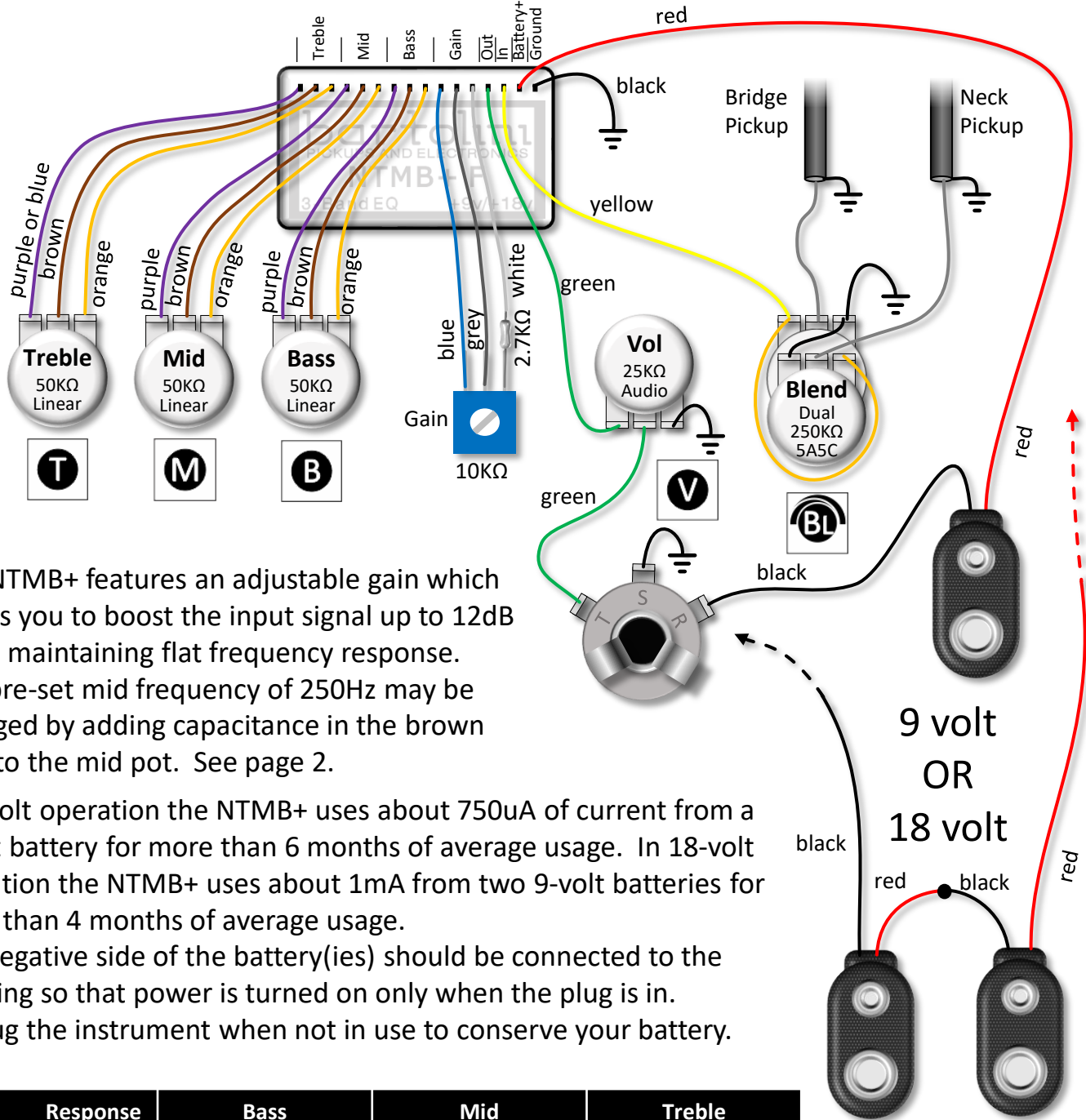


3-Band 9-volt or 18-volt Preamp/Tone control with switchable Mid frequencies

The NTMB+ is a tone control preamp with fully independent Bass, Mid and Treble controls with very low noise and wide boost/cut range. The sound is extremely clear and transparent. Distortion is well below 0.001%.

This preamp can be used with either a single 9-volt battery (9-volt operation) or two 9-volt batteries (18-volt operation) which yields 6dB extra headroom.



The NTMB+ features an adjustable gain which allows you to boost the input signal up to 12dB while maintaining flat frequency response. The pre-set mid frequency of 250Hz may be changed by adding capacitance in the brown wire to the mid pot. See page 2.

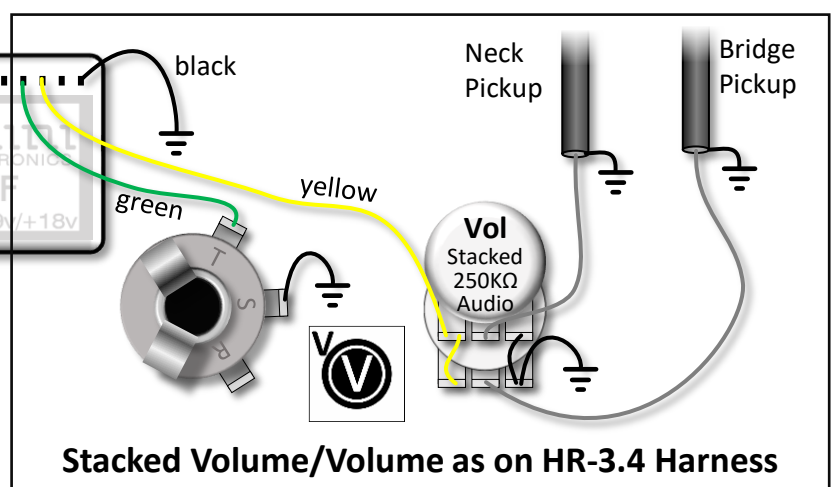
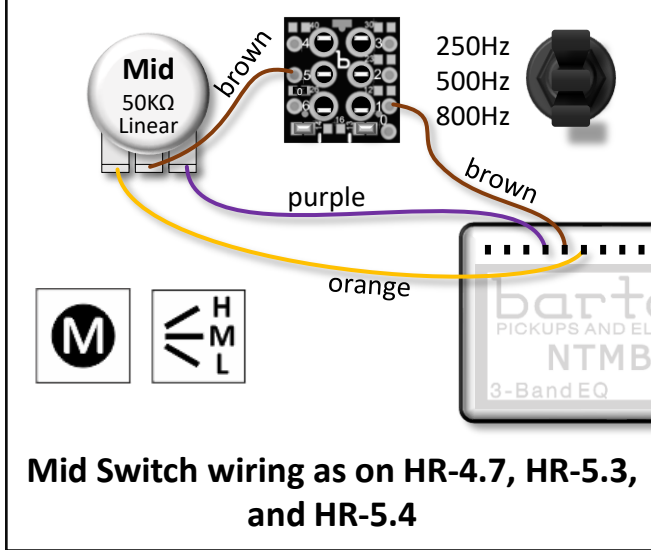
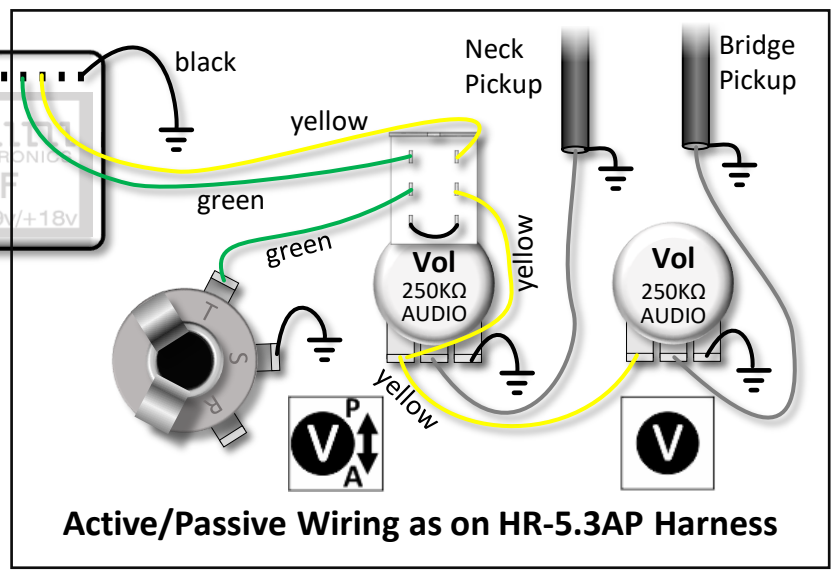
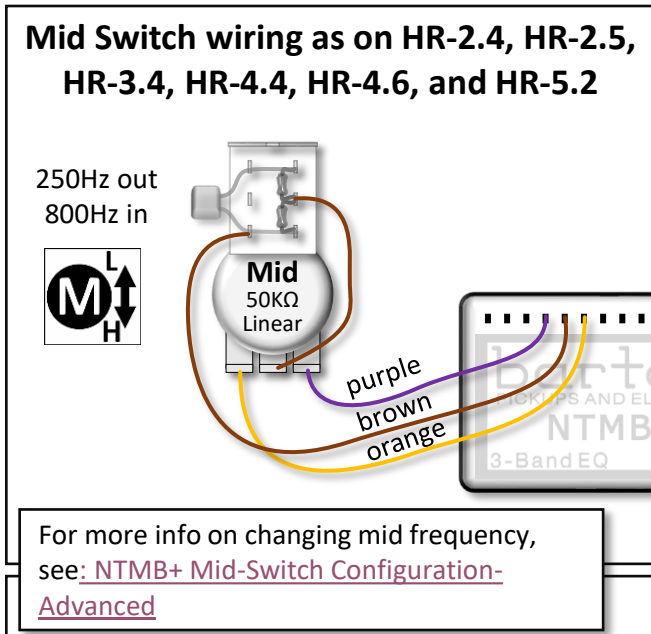
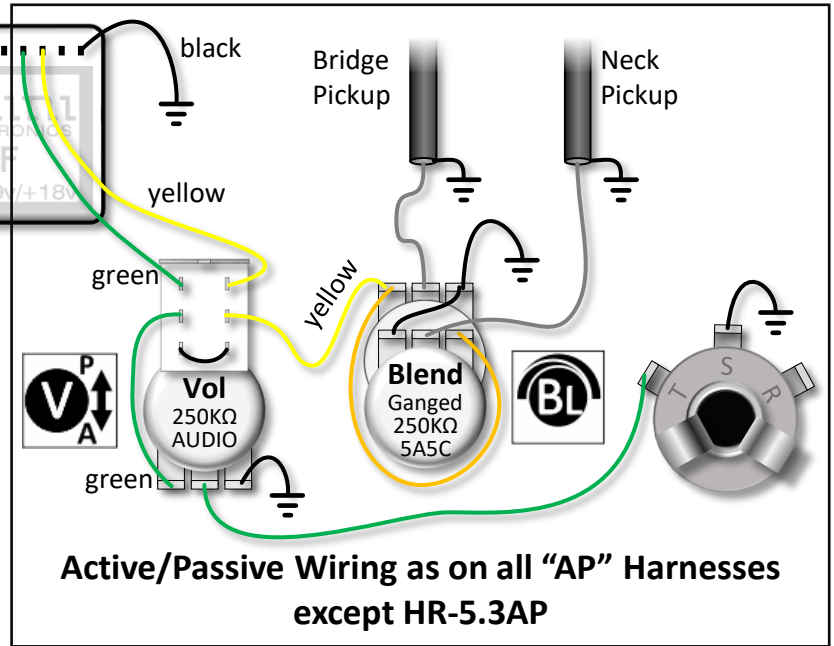
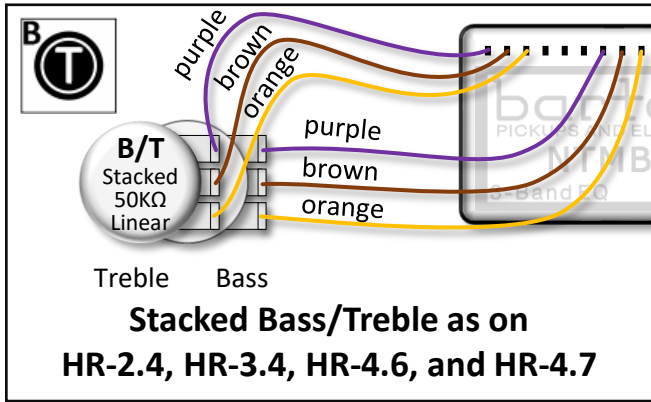
In 9-volt operation the NTMB+ uses about 750uA of current from a 9-volt battery for more than 6 months of average usage. In 18-volt operation the NTMB+ uses about 1mA from two 9-volt batteries for more than 4 months of average usage.

The negative side of the battery(ies) should be connected to the jack ring so that power is turned on only when the plug is in. Unplug the instrument when not in use to conserve your battery.

Response	Bass	Mid	Treble
NTMB+F Version	+/-15dB@30Hz	+/-13dB@250Hz	+/-18dB@10KHz
NTMB+FL Version	+/-12dB@30Hz	+/-12dB@250Hz	+/-15dB@6.5KHz

DO NOT USE MORE THAN 18 VOLT SUPPLY VOLTAGE OR EXTERNAL POWER SUPPLIES

Configuration Options on Standard Pre-Wired Harnesses



⏏ Ground – Connected to preinstalled bare wire.
⏏ Connect to cavity shield if available. Also ensure bridge is connected to ground.