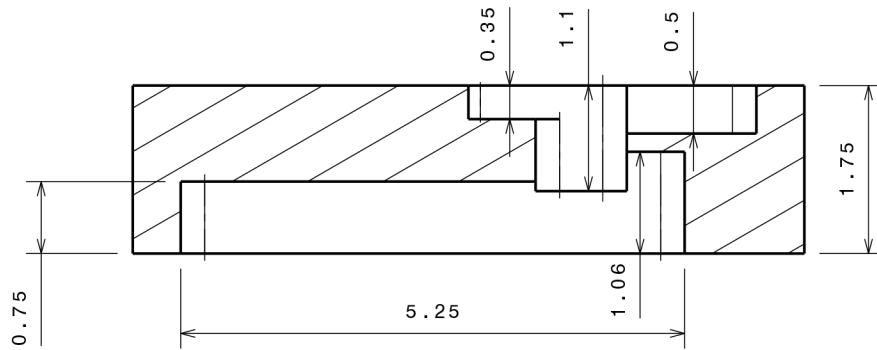


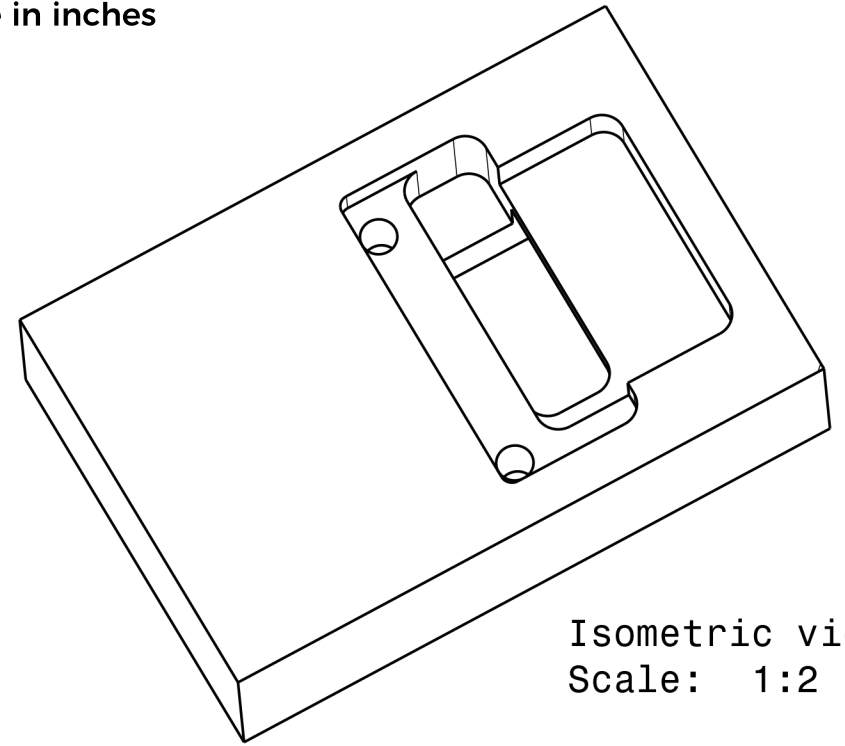
Floyd Rose[®]

Original Routing Diagram

All measurements below are in inches

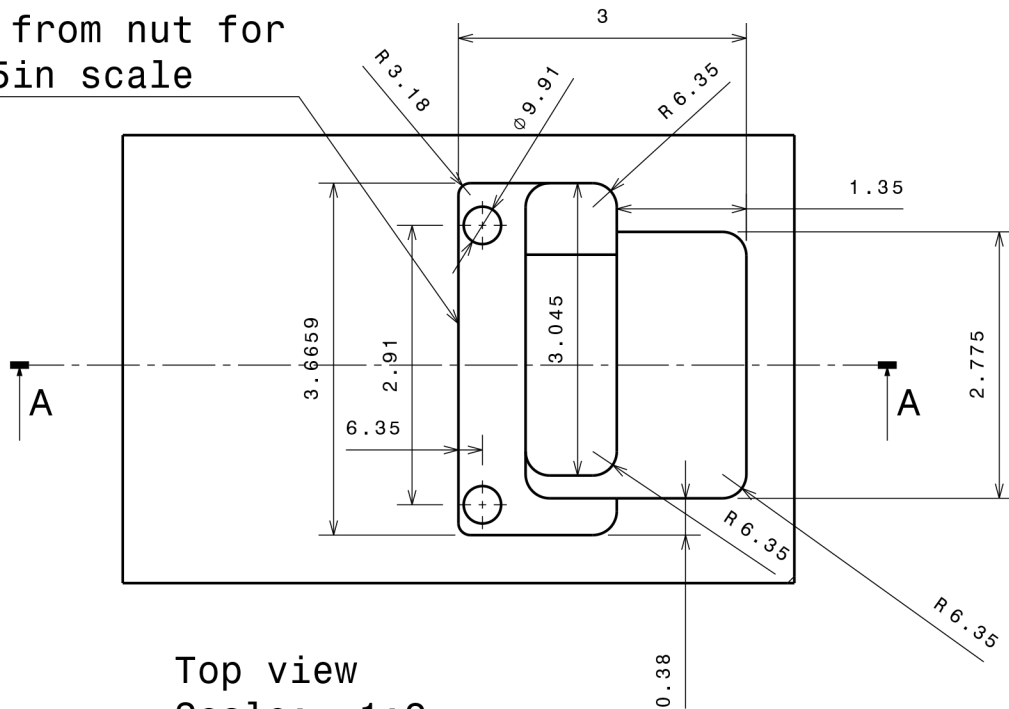


Section view A-A
Scale: 1:2

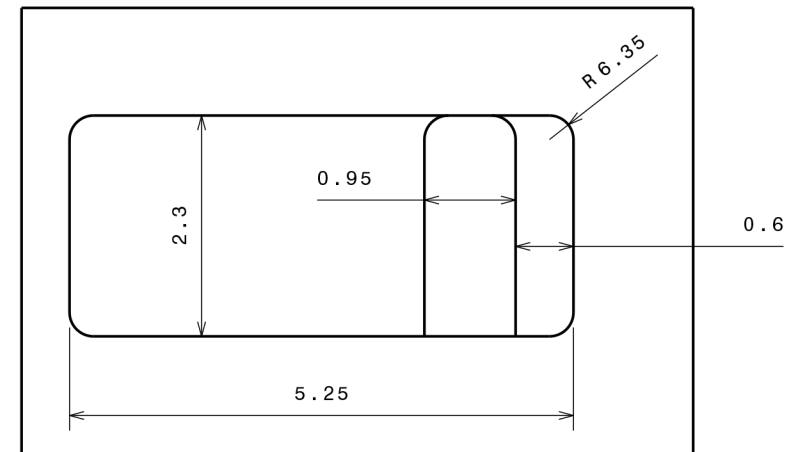


Isometric view
Scale: 1:2

24.78in from nut.
for 25.5in scale
24in from nut for
24.75in scale



Top view
Scale: 1:2



Back view
Scale: 1:2