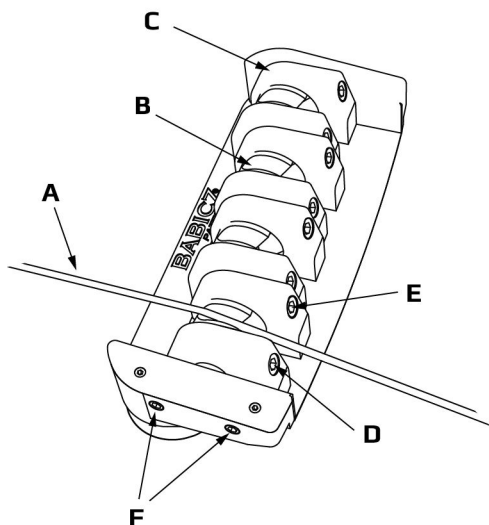


ADJUSTING YOUR FCH RIC BRIDGE



Adjusting Your String Action Height:

- 1) Install strings (A) by placing them in the grooves (B), found in each eCAM saddle (C).
- 2) Using the provided 2mm hex wrench: loosen screw (D), then set your string height by turning screw (E) until the desired string height is achieved.
- 3) Lock the eCAM saddle (C) by turning screw (D), using the 2mm hex wrench.

Adjusting Your Intonation:

- 1) Loosen the two Saddle Locking Screws (F) using the 1.5mm wrench.
- 2) Carefully position each eCAM saddle, by hand, to the desired intonation positions.
- 3) Lock all four eCAM Saddles in position by tightening the Saddle Locking Screws (F) using the provided 2mm hex wrench.

Other Babicz Full Contact Hardware Models:

Bass Bridges:

FCH-4 String
FCH-5 String
FCH-1 Solo Rail
FCH-3 Point
FCH-4 RIC

For Guitar:

Telecaster Bridges
Stratocaster Tremolos
6/7 String Hardtails
Tune-O-Matic Bridges
Offset Bridges

Other:

LX2 Twin Locking Tailpiece
FCH Saddle Kit
FCH Brass String Blocks
Alternative Metal eCAMs

*Most models above are available in the double locking Original Series, or the mono locking Z-Series