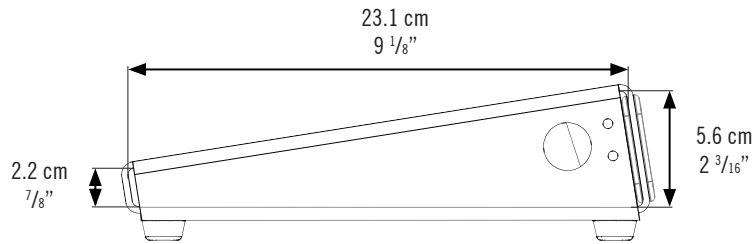




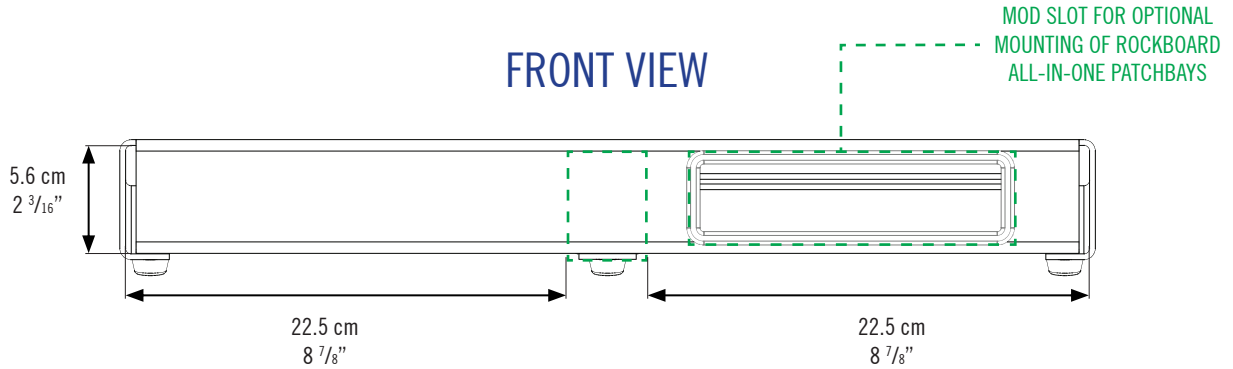
TRES 3.1

POWER SUPPLY PLACEMENT - MAXIMUM SPACE UNDERNEATH THE BOARD

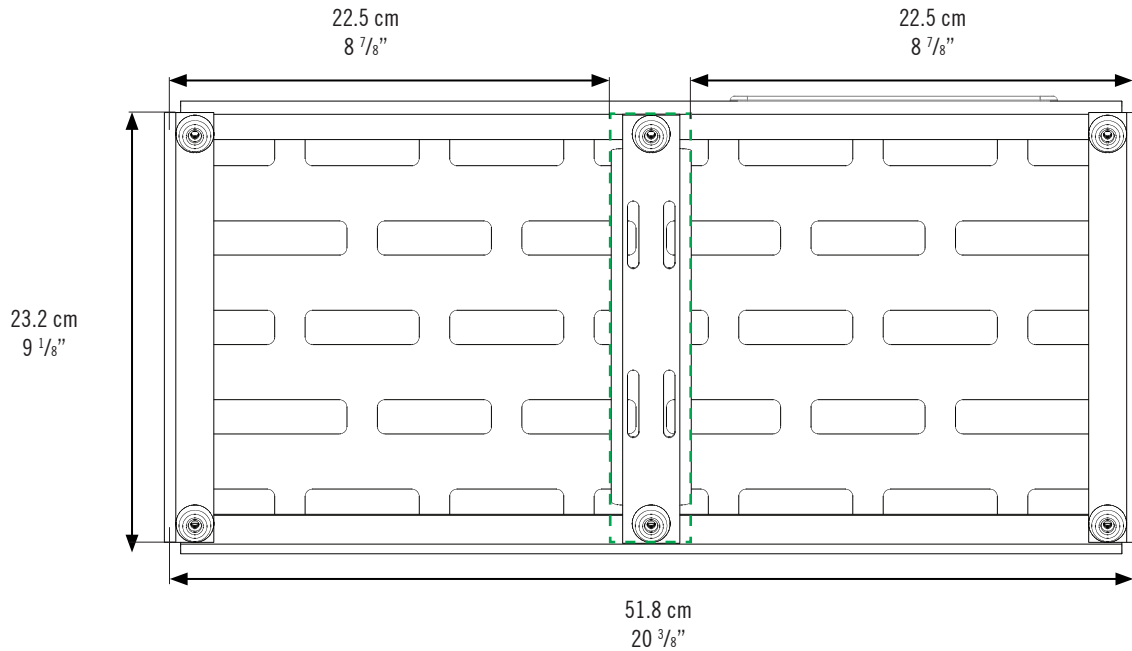
SIDE VIEW



FRONT VIEW



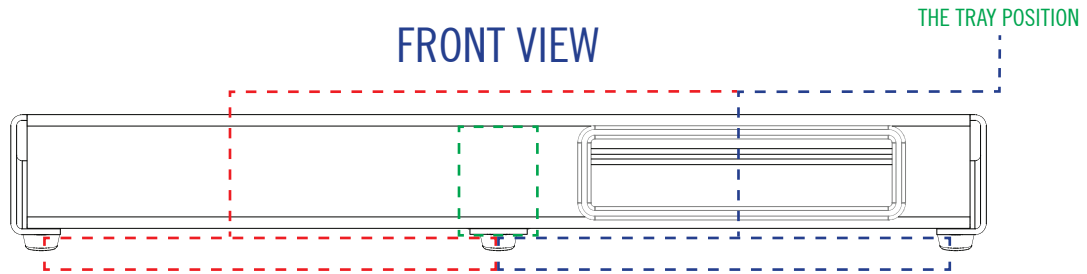
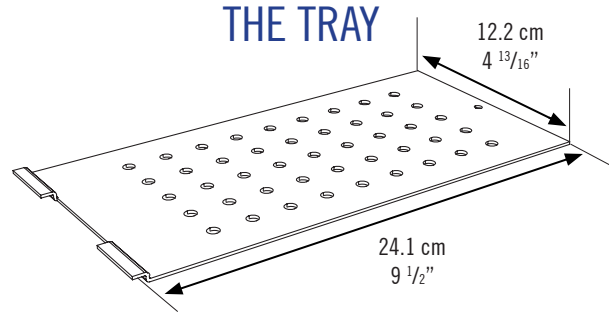
UNDERNEATH VIEW





TRES 3.1

POWER SUPPLY PLACEMENT - MAXIMUM SPACE UNDERNEATH THE BOARD



UNDERNEATH VIEW OPTIONAL TRAY POSITIONS (2 TOTAL)

