

4

3

2

1

F

F

E

E

D

D

C

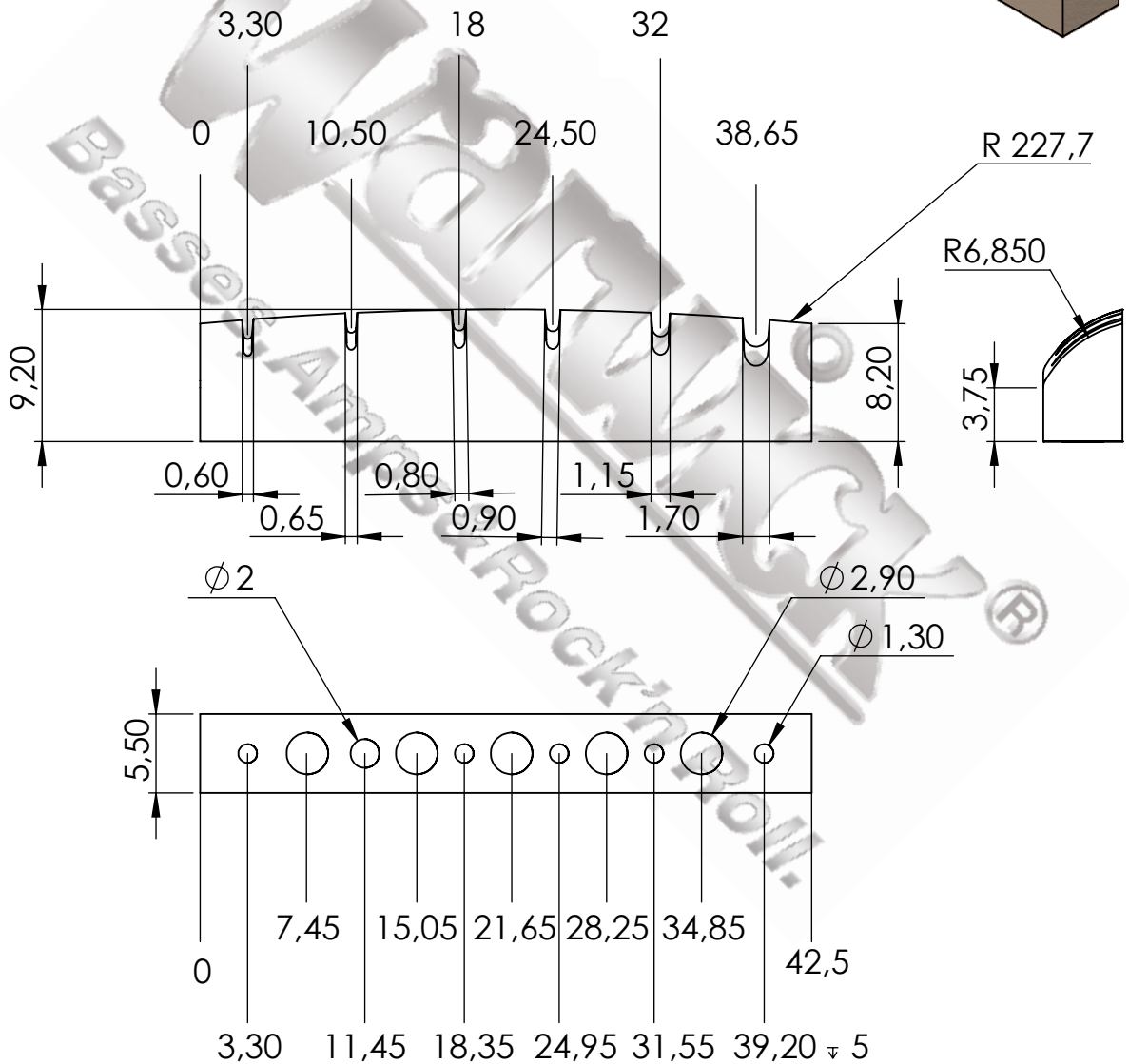
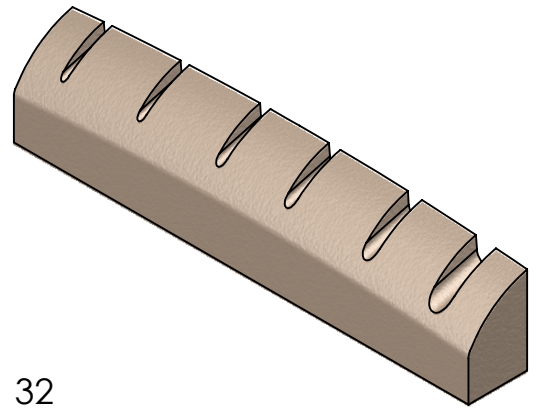
C

B

B

A

A



UNLESS OTHERWISE SPECIFIED:
DIMENSIONS ARE IN MILLIMETERS

DO NOT SCALE DRAWING

REVISION

Copyright: The drawing is property of Warwick GmbH&Co
Music Equipment KG.
The information given on it is protected by copyright any form
of copying or reproduction is strictly forbidden.

TITLE:

Framus Vintage Nut, Solid Body
Guitar / 6-string

Warwick GmbH & Co. Music Equipment KG
Gewerbepark 46
08258 Markneukirchen

DWG NO.

FRV NUT 00001

A4

SCALE:2:1

SHEET 1 OF 1

4

3

2

1