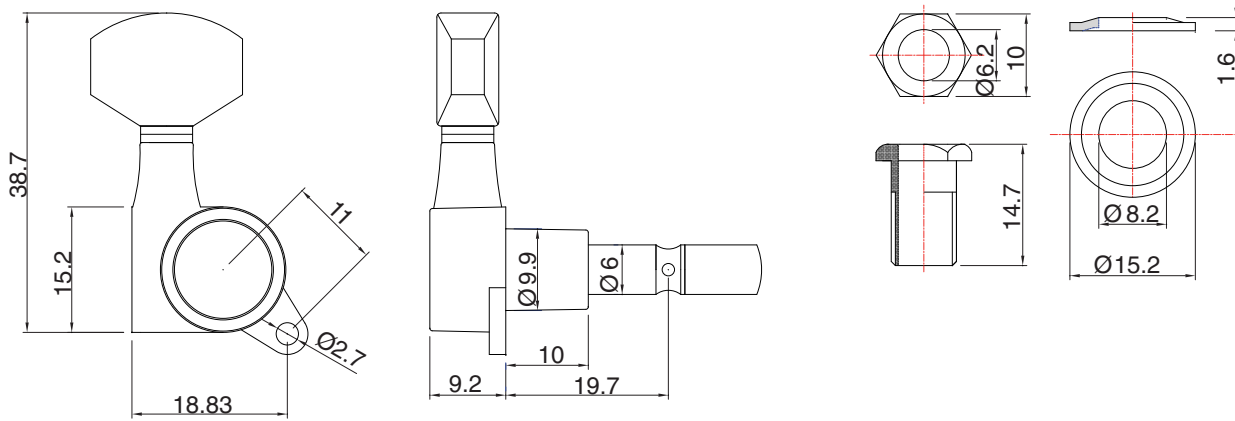


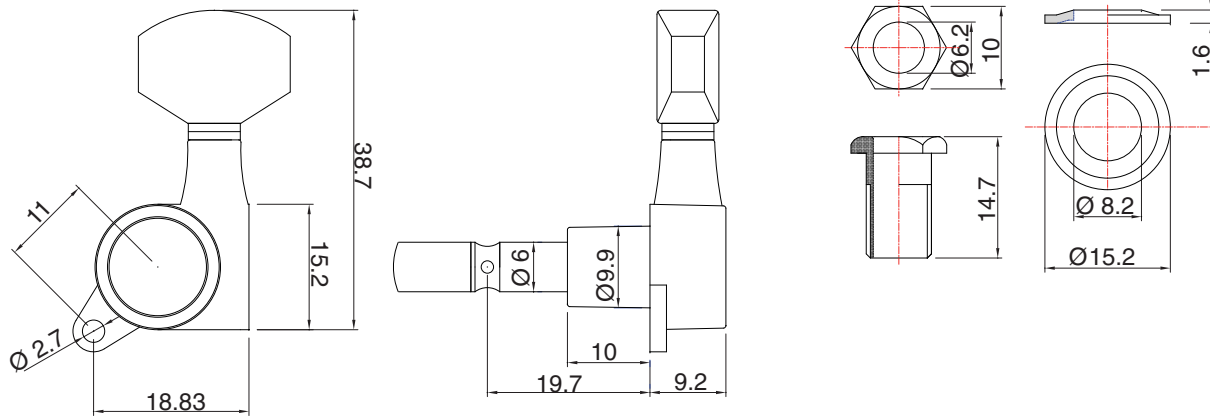


FRAMUS MACHINE HEADS

- SP F 30031 PBL 3/3
- SP F 30032 PCL 3/3
- SP F 30033 PGL 3/3
- SP F 30034 PSCL 3/3



RIGHT



LEFT

Headquarters: Warwick GmbH&Co. Music Equipment KG • Gewerbestraße 46 • 08258 Markneukirchen/Germany • E-Mail: info@warwick.de
Branch China: Warwick Music Equipment (Shanghai) Ltd., Co. • Shanghai Waigaoqiao Free Trade Zone • Shanghai 200131/P.R.China • E-Mail: info@warwick.cn
Branch UK: Warwick Music Equipment Trading (Manchester UK) Ltd. • 75 Bridge Street • Manchester M3 2RH / Great Britain • E-Mail: info@warwickbass.co.uk
Branch USA: Warwick Music Equipment Trading (New York USA) Inc. • 76-80 East 7th Street • New York, NY 10003 USA • E-Mail: f.villano@warwick.de
Branch Switzerland: Warwick Music Equipment Trading (Zurich) GmbH • Kriesbachstrasse 30 • 8600 Dbendorf / Switzerland • E-Mail: info@warwick.ch
Branch CZ/SK: Warwick Music Equipment Trading (Praha CZ) s.r.o. • Spálená 23/93 • 11000 Praha 1 / Czech Republic • E-Mail: info@warwick.cz
Branch PL: Warwick Music Equipment Trading (Warsaw) Sp. z o.o. • Flory 7/18a • 00-586 Warsaw / Poland • E-Mail: info@warwick.pl

Visit us on the World Wide Web: <http://www.warwick.de> & join us in WARWICK BASS FORUM: www.warwick.de/forum

size in mm

© COPYRIGHT 2009
05. Februar 2009