

1

2

3

4

A

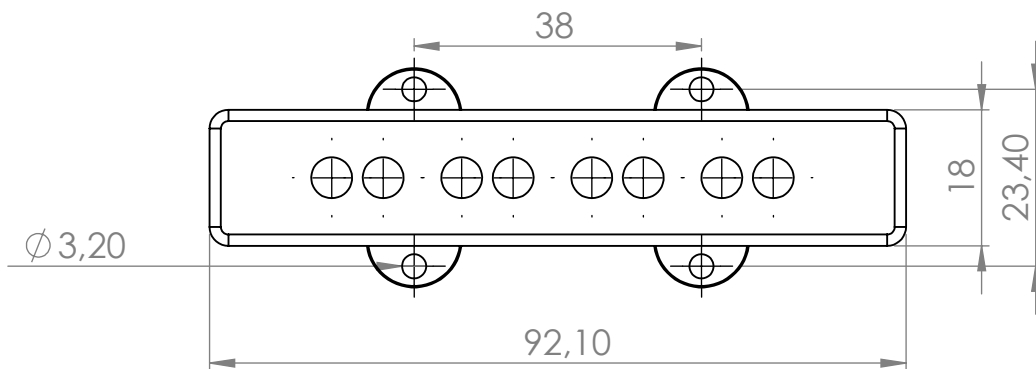
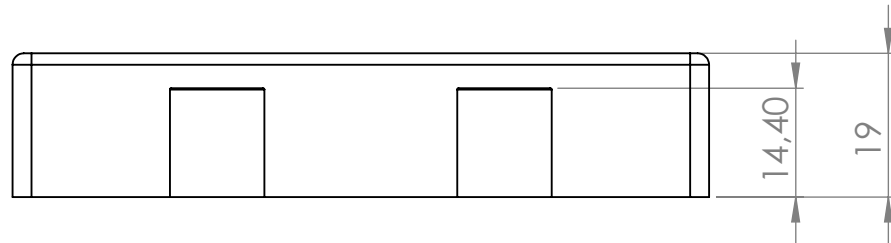
B

C

D

E

F



warwick[®]

Warwick Gmbh & Co Music Equipment KG
 Gewerbepark 46
 D-08258 Markneukirchen
 Tel : +49 (0) 37422 555 - 0
 Fax : +49 (0) 37422 555- 9999
 e-mail : info@warwick.de

| | NAME | DATE |
|-------|-------------|----------------------------|
| DRAWN | Niedermaier | Freitag, 18. Dezember 2020 |
| CHK'D | | A-01 |
| | Scale 1:1 | SHEET 1 OF 1 |

SAC PU J4 N

Copyright
 This drawing is the property of Warwick Gmbh & Co Music Equipment KG.
 The information given on it is protected by copyright and any form of copying or reproduction is strictly forbidden.