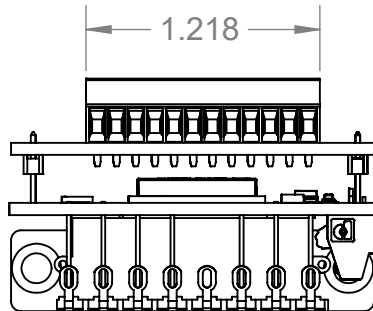
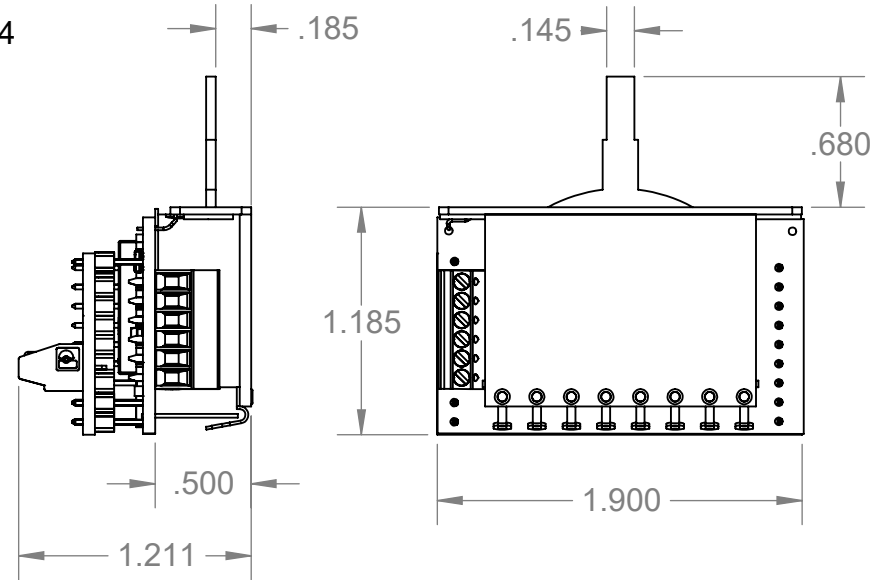
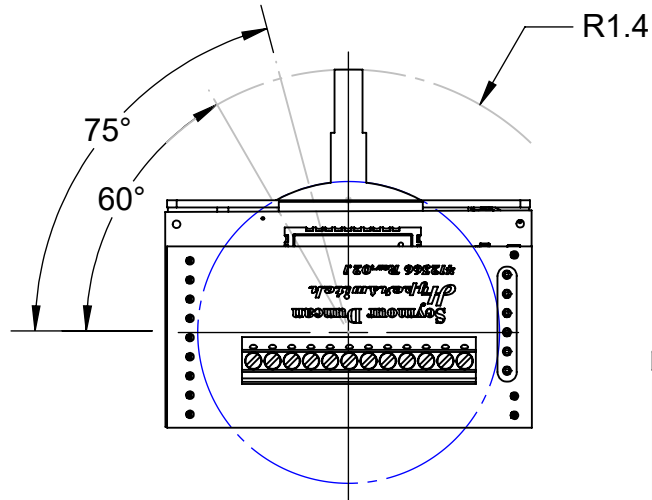
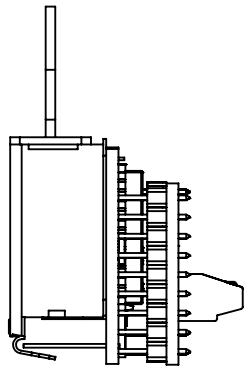
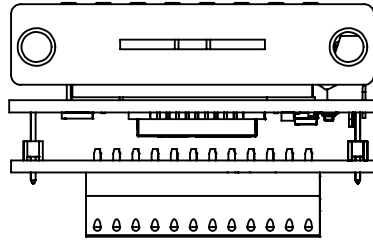
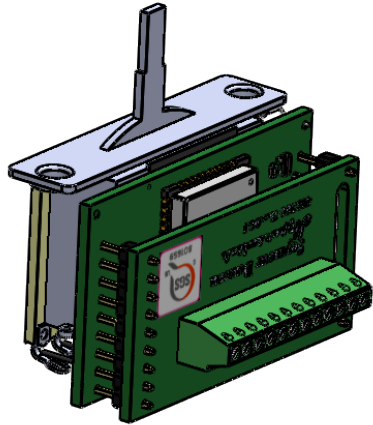


THE INFORMATION CONTAINED IN THIS DRAWING IS THE SOLE PROPERTY OF SEYMOUR DUNCAN RESEARCH. ANY REPRODUCTION IN PART OR WHOLE WITHOUT THE WRITTEN PERMISSION OF SEYMOUR DUNCAN RESEARCH IS PROHIBITED.

REV.	DESCRIPTION	DATE	BY
1	Pre-released	4/21/2022	RS



UNLESS OTHERWISE SPECIFIED  
DIMENSIONS ARE IN INCHES  
TOLERANCES ARE:  
FRACTIONS DECIMALS ANGLES  
.XX ± .01 ± 1  
.XXX ± .005

CAD GENERATED DRAWING,  
DO NOT MANUALLY UPDATE

APPROVALS	DATE
DRAWN <i>Rick S.</i>	4/21/2022
CHECKED	

MATERIAL  
FINISH  
DO NOT SCALE DRAWING

RESP ENG  
*Kevin Beller*  
MFG ENG  
QUAL ENG

**SEYMOUR DUNCAN RESEARCH**

**Envelope Drawing**  
**Hyperswitch V5**

SIZE	DWG. NO.	REV.
A		1

SCALE: 1:1