

A

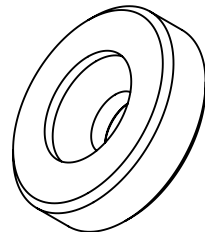
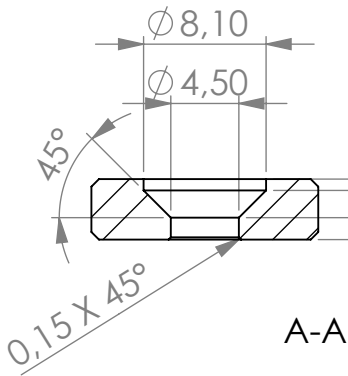
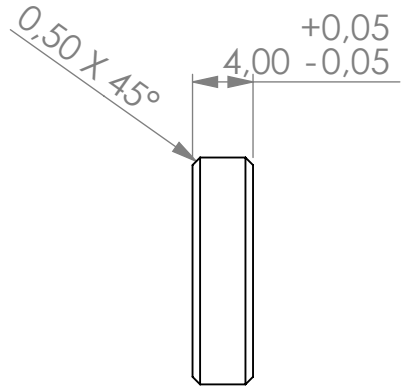
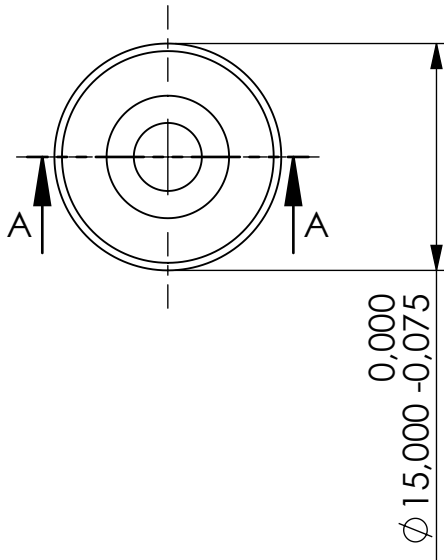
B

C

D

E

F



**warwick®**

Warwick GmbH & Co Music Equipment KG  
Gewerbepark 46  
D-08258 Markneukirchen  
Tel : +49 (0) 37422 555 - 0  
Fax : +49 (0) 37422 555- 9999  
e-mail : info@warwick.de

	NAME	DATE
DRAWN		Dienstag, 16. November 2021
CHK'D		A-01
Scale 2:1	SHEET 2 OF 2	<b>A4</b>

SP S 30702

**Copyright**  
This drawing is the property of Warwick GmbH & Co Music Equipment KG.  
The information given on it is protected by copyright and any form of copying or reproduction is strictly forbidden.