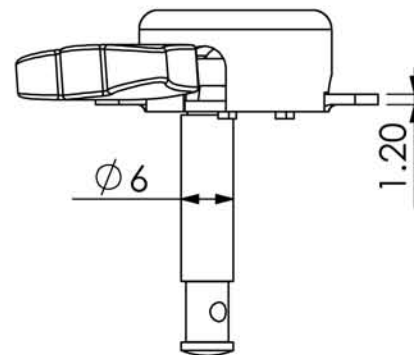
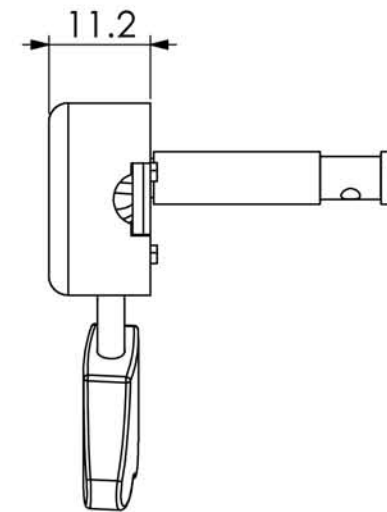
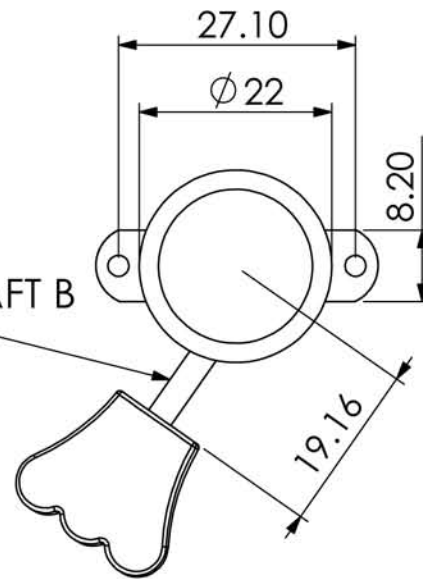


**WARM SHAFT B
Φ3.1→Φ4.0



FRV MECH 6BR

Framus[®]