

A

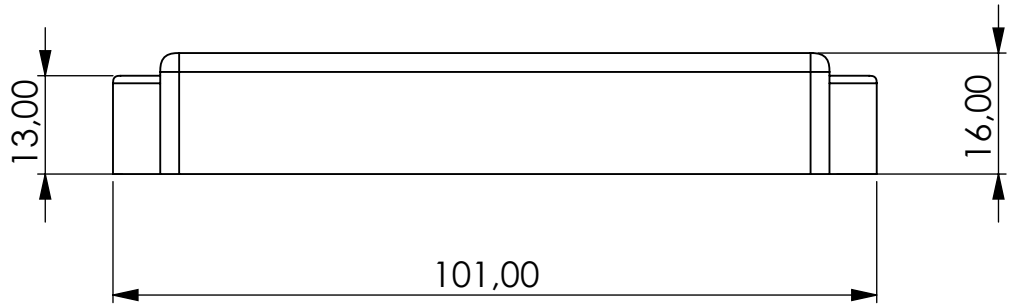
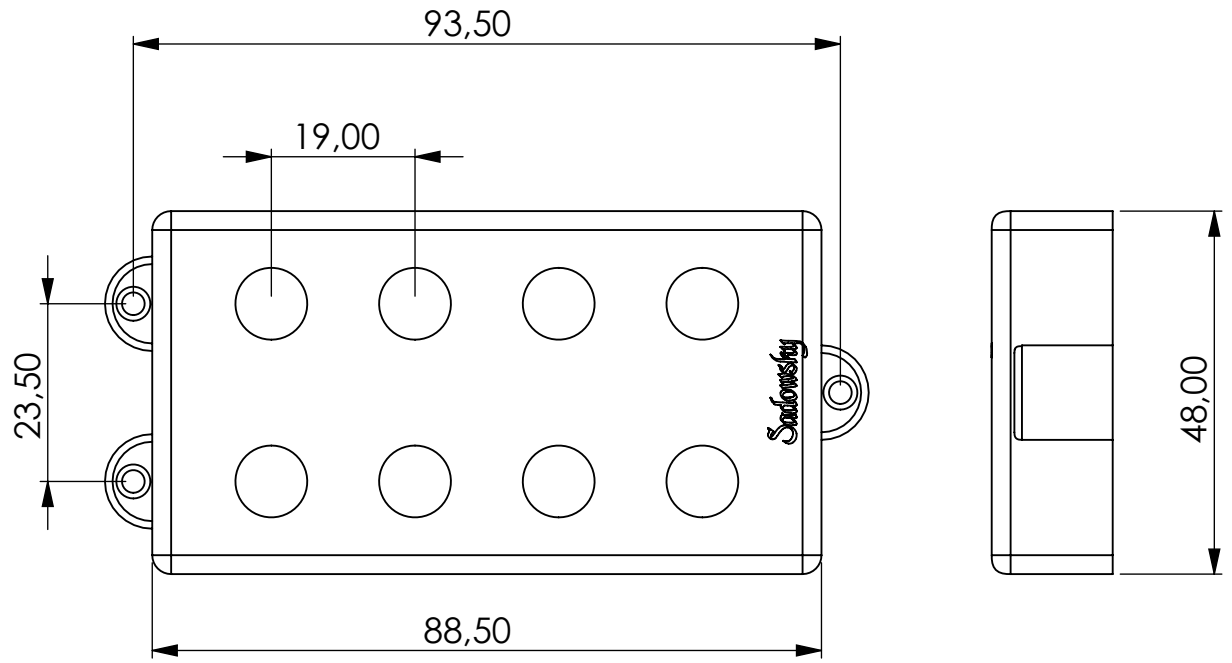
B

C

D

E

F



Sadowsky[®]

Warwick Gmbh & Co Music Equipment KG
 Gewerbepark 46
 D-08258 Markneukirchen
 Tel : +49 (0) 37422 555 - 0
 e-mail : info@warwick.de

	NAME	DATE
DRAWN		Freitag, 29. November 2024
CHK'D		A-01
Scale 1:1	SHEET 3 OF 4	A4

SAC PU ME MM 4

Copyright
 This drawing is the property of Warwick Gmbh & Co Music Equipment KG.
 The information given on it is protected by copyright and any form of copying or reproduction is strictly forbidden.