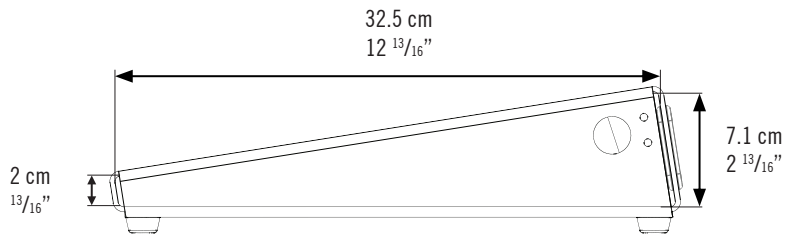




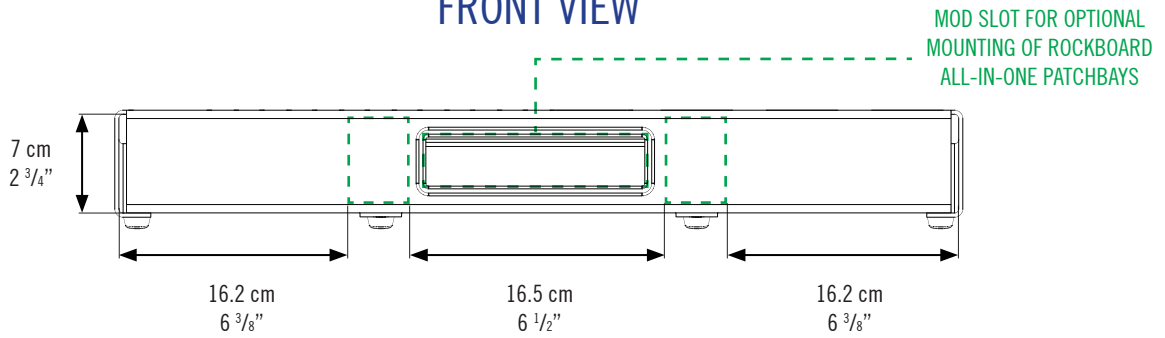
# QUAD 4.2

POWER SUPPLY PLACEMENT - MAXIMUM SPACE UNDERNEATH THE BOARD

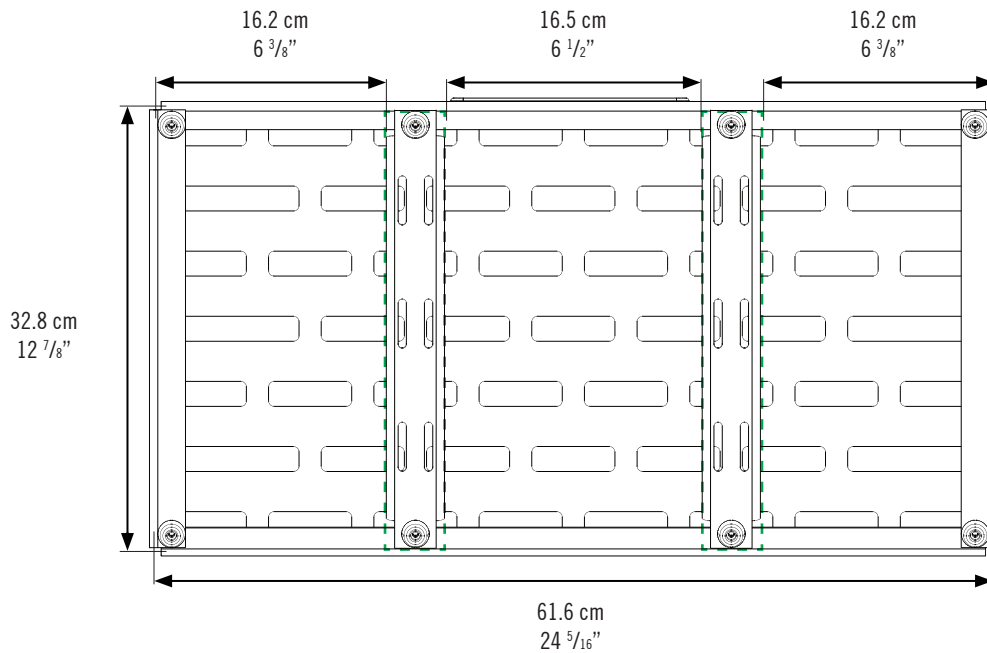
## SIDE VIEW



## FRONT VIEW



## UNDERNEATH VIEW

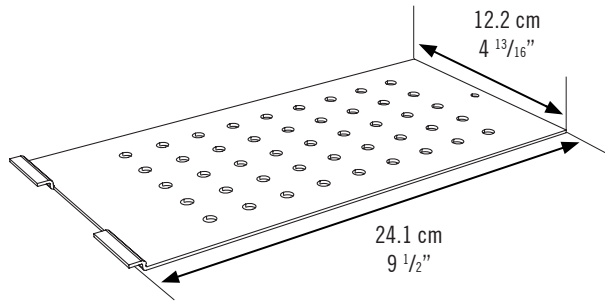




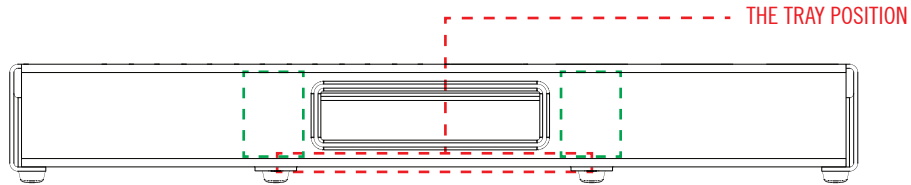
# QUAD 4.2

POWER SUPPLY PLACEMENT - MAXIMUM SPACE UNDERNEATH THE BOARD

## THE TRAY



## FRONT VIEW



## UNDERNEATH VIEW OPTIONAL TRAY POSITIONS (2 TOTAL)

