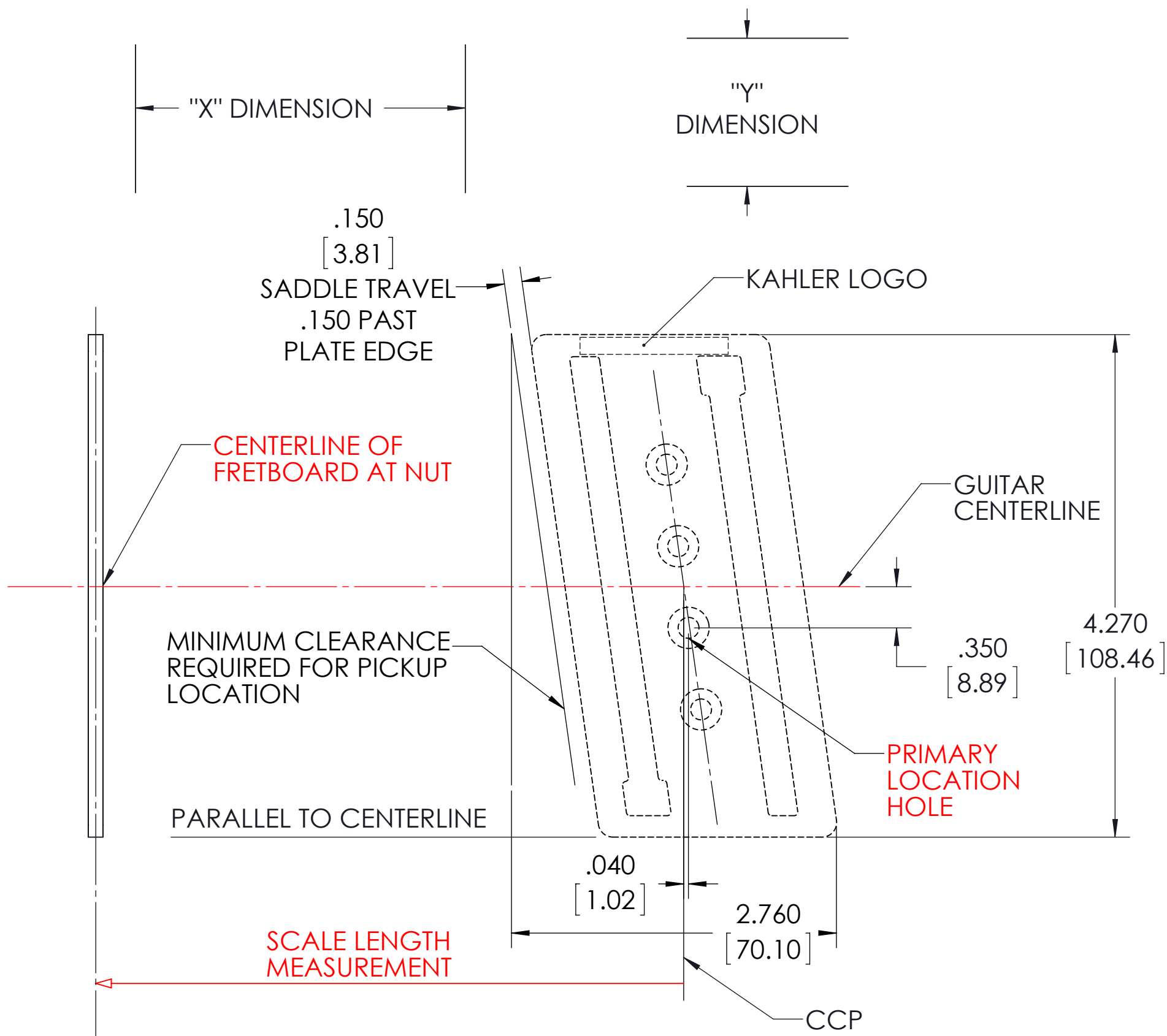


# INSTALLATION INSTRUCTIONS

FOR FIXED BASS BRIDGES 2450W-5, 2450N-6  
 5 & 6 STRING SERIES

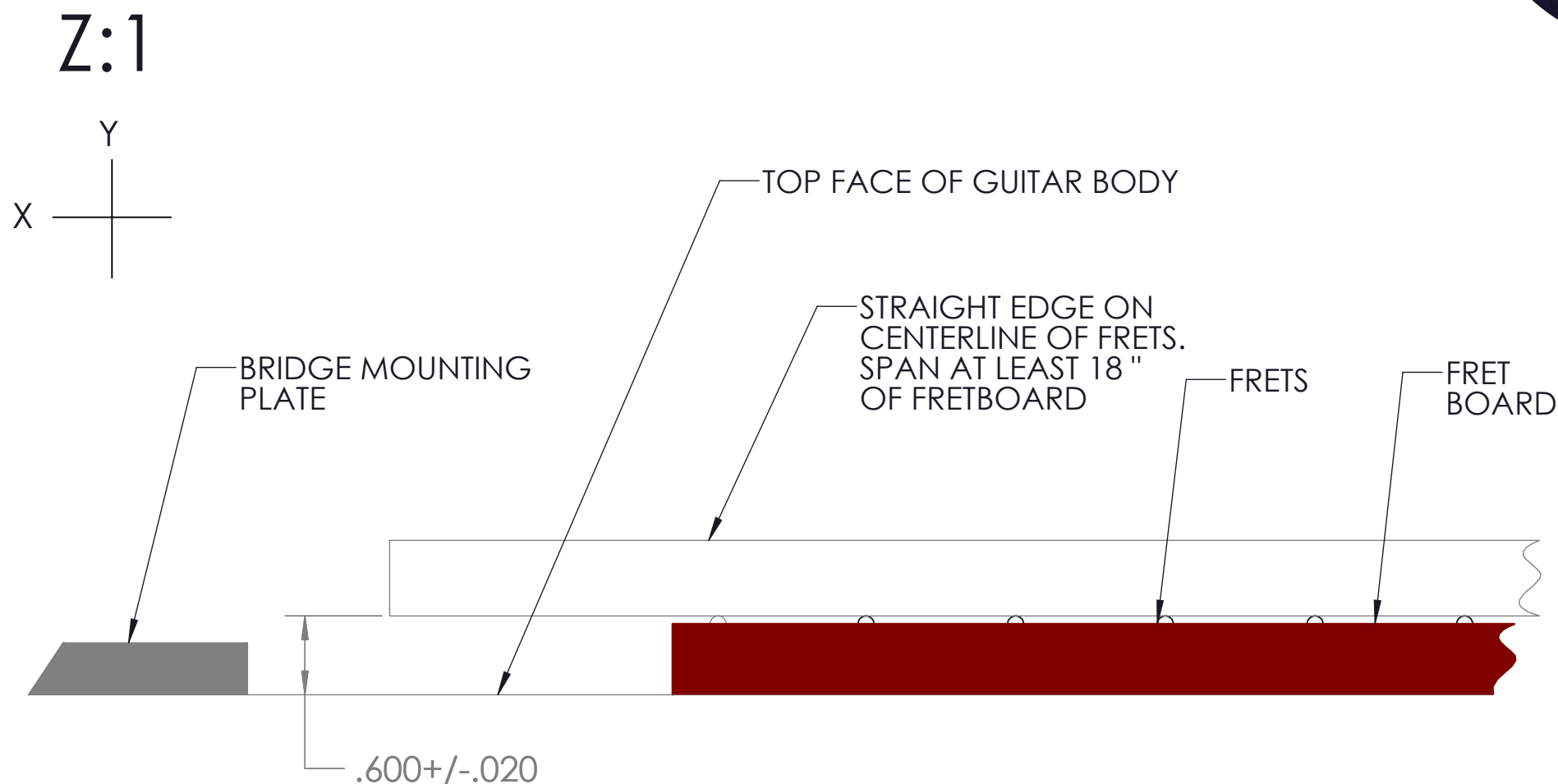


- X** : USING THE DIMENSIONS SHOWN. ESTABLISH THE "PRIMARY LOCATION HOLE" FROM THE INTERSECTION OF THE CENTERLINE OF FRETBOARD AND THE **SCALE LENGTH MEASUREMENT**. THIS ESTABLISHES THE CRITICAL CONTACT POINT (CCP) AT THE NUT AND TO THE CENTER OF SADDLE TRAVEL (CST).
- Y** : FOR LOCATION OF REMAINING (3) MOUNTING HOLES USE THE PLATE LOCATED AS SHOWN AS A TEMPLATE. (NOTE: L-R SADDLE ADJUSTMENTS PROVIDED BY BRIDGE).



DWG is to offer assistance to a qualified Luthier. We do not guarantee 100% satisfaction on this DWG, therefore the Luthier is 100% responsible for the measurements and routings.	KAHLER INTERNATIONAL INC.		
	TITLE: LOCATION MEASUREMENTS ASSY: 2450W-5, 2450N-6		
	DWG. NO. 5168RIMA		
	DRAWN: TASC	DATE: 08/6/12	SCALE: 1:1

## FIXED BASS RIDGE MOUNTING PLATE LOCATION AND HEIGHT MEASUREMENT FOR CORRECT STRING ACTION



NOMINAL HEIGHT. IF GREATER, ADJUST NECK ANGLE OR ADD SHIMS UNDER BRIDGE PLATE.  
 IF LESS, ADJUST NECK ANGLE OR ROUTE AN INSET.

DWG is to offer assistance to a qualified Luthier. We do not guarantee 100% satisfaction on this DWG, therefore the Luthier is 100% responsible for the measurements and routings. "A GUIDE ONLY"	KAHLER INTERNATIONAL INC.		
	TITLE: LOCATION MEASUREMENTS ASSY: 2450W-5, 2450N-6		
	DWG. NO. <b>5168RIMA</b>		
	DRAWN: TASC	DATE: 03/21/11	SCALE: 1:1