

Fender 4-String and 5-String J Bass® replacement pickups

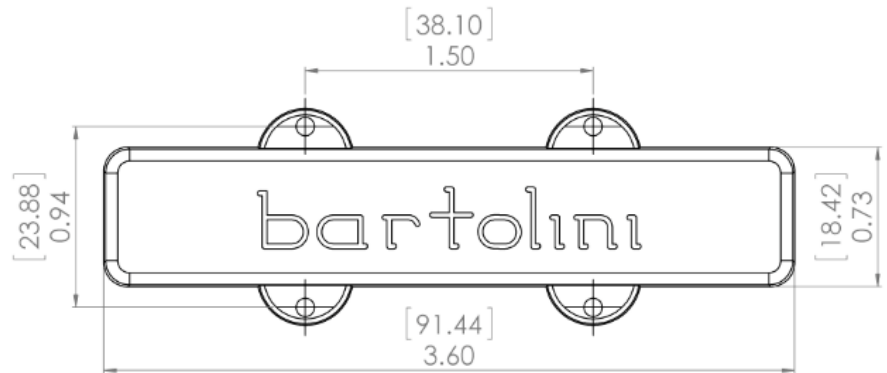
#9 Short Shell

4-String Models

- 9J-S1 (Neck)
- 9S-S1 (Neck)
- 9CBJD-S1 (Neck)
- 9CBJD-SB1 (Bridge)
- 9CBJD-S3 (Neck)
- 9CBJD-SB3 (Bridge)
- 9CBJS-S1 (Neck)
- 9CBJS-S3 (Neck)

5-String Models

- 59J-S1 (Neck)
- 59CBJS-S1 (Neck)
- 59CBJD-S1 (Neck)
- 59CBJD-S3 (Neck)



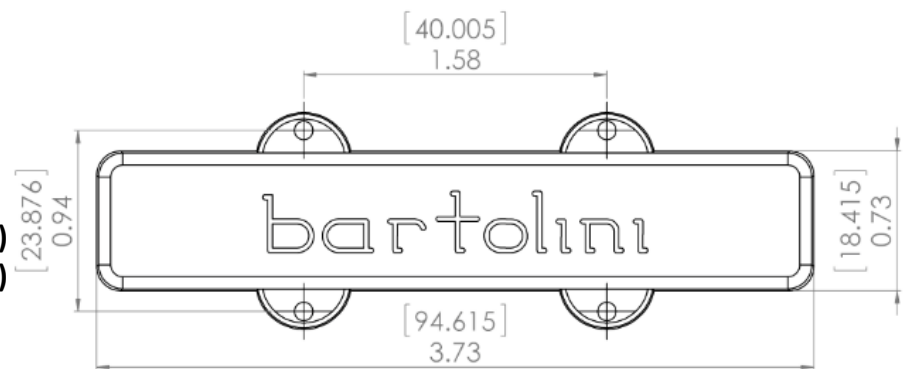
#9 Long Shell

4-String Models

- 9J-L1 (Bridge)
- 9S-L1 (Bridge)
- 9CBJD-L1 (Bridge)
- 9CBJD-LN1 (Neck)
- 9CBJD-L3 (Bridge)
- 9CBJD-LN3 (Neck)
- 9CBJS-L1 (Bridge)
- 9CBJS-L3 (Bridge)

5-String Models

- 59J-L1 (Bridge)
- 59CBJS-L1 (Bridge)
- 59CBJD-L1 (Bridge)
- 59CBJD-L3 (Bridge)



Dimensions in [mm] Inches

Fender American Standard and American Deluxe 5-String J Bass® replacement pickups

#7 Short Shell

5-String Models

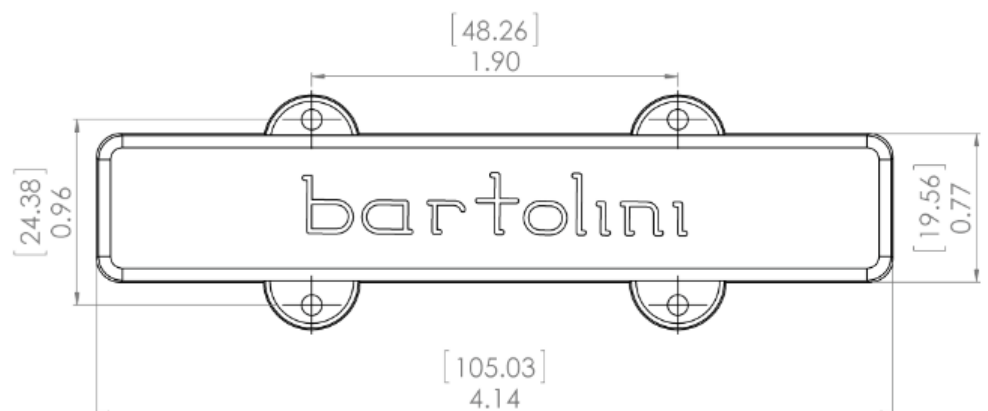
- 57J-S1 (Neck)
- 57CBJD-S1 (Neck)
- 57CBJD-S3 (Neck)



#7 Long Shell

5-String Models

- 57J-L1 (Bridge)
- 57CBJD-L1 (Bridge)
- 57CBJD-L3 (Bridge)



Dimensions in [mm] Inches

The lengths of the neck and bridge pickups in the original J-Basses® are not equal. The neck pickup is 3-5/8" long which is slightly shorter than the bridge pickup which is 3-3/4" long. Some modern designs, however, use two 'long' bridge-length pickups. In this configuration it is important to use the "LN" (long neck) pickup that is specifically designed to work in this position (do not use a bridge pickup in the neck position). Some (very few) use two 'short' neck length pickups. Please check the physical size of the pickups you want to replace to make sure the replacements fit properly.

The lengths of the neck and bridge pickups in 5-String J-Bass® pickups are also not equal. Additionally, Fender American Standard and American Deluxe J-Basses® have larger pickups than other 5-String J-Basses®.