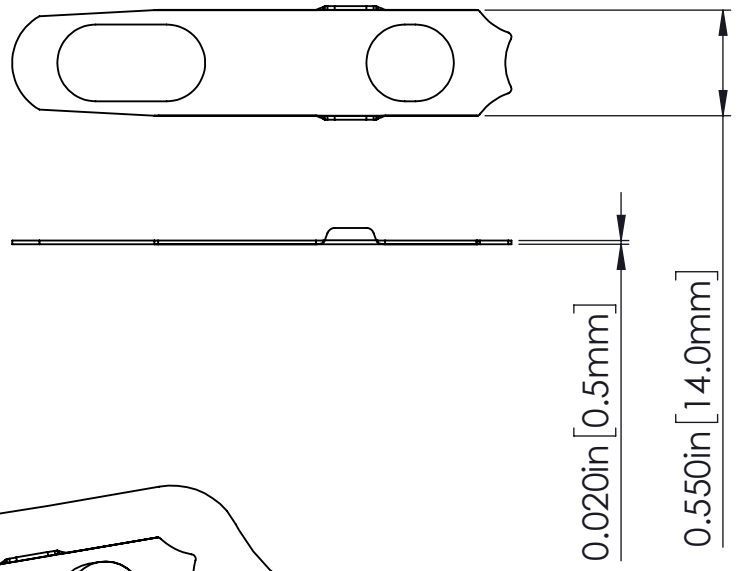
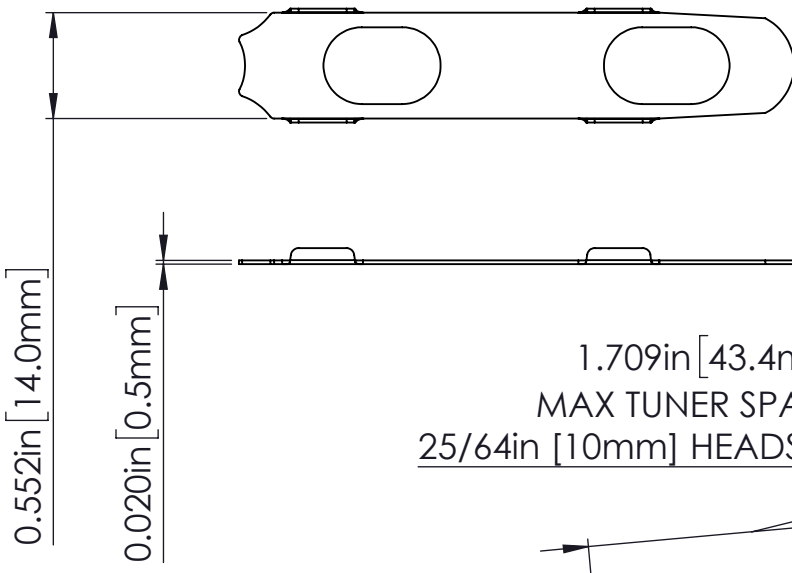


2 TAB PLATE

1 TAB PLATE



1.709in [43.4mm]
MAX TUNER SPACING
25/64in [10mm] HEADSTOCK HOLES

BASS
SIDE

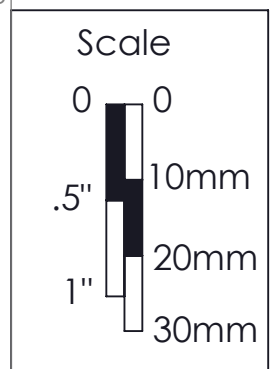
TREBLE
SIDE

2 TAB PLATES

1 TAB PLATES

1.256in [31.9mm]
MIN TUNER SPACING
25/64in [10mm] HEADSTOCK HOLES

WEIGHT (WITH MOUNTING HARDWARE): 0.55oz [15.5g]



THIS DRAWING IS THE SOLE PROPERTY OF HIPSHOT PRODUCTS, INC. ALL RIGHTS ARE RESERVED. DIMENSIONS AND PRODUCT FEATURES MAY CHANGE WITHOUT NOTICE.

UNLESS OTHERWISE SPECIFIED: DIMENSIONS ARE IN INCHES TOLERANCE: ± .005

REV DATE: 4/17/2020

6K2 DIMENSIONS



8248 STATE ROUTE 96
Interlaken, NY 14847 U.S.A.
TEL:607-532-9404 FAX:607-532-9530
E-MAIL: info@HipshotProducts.com