

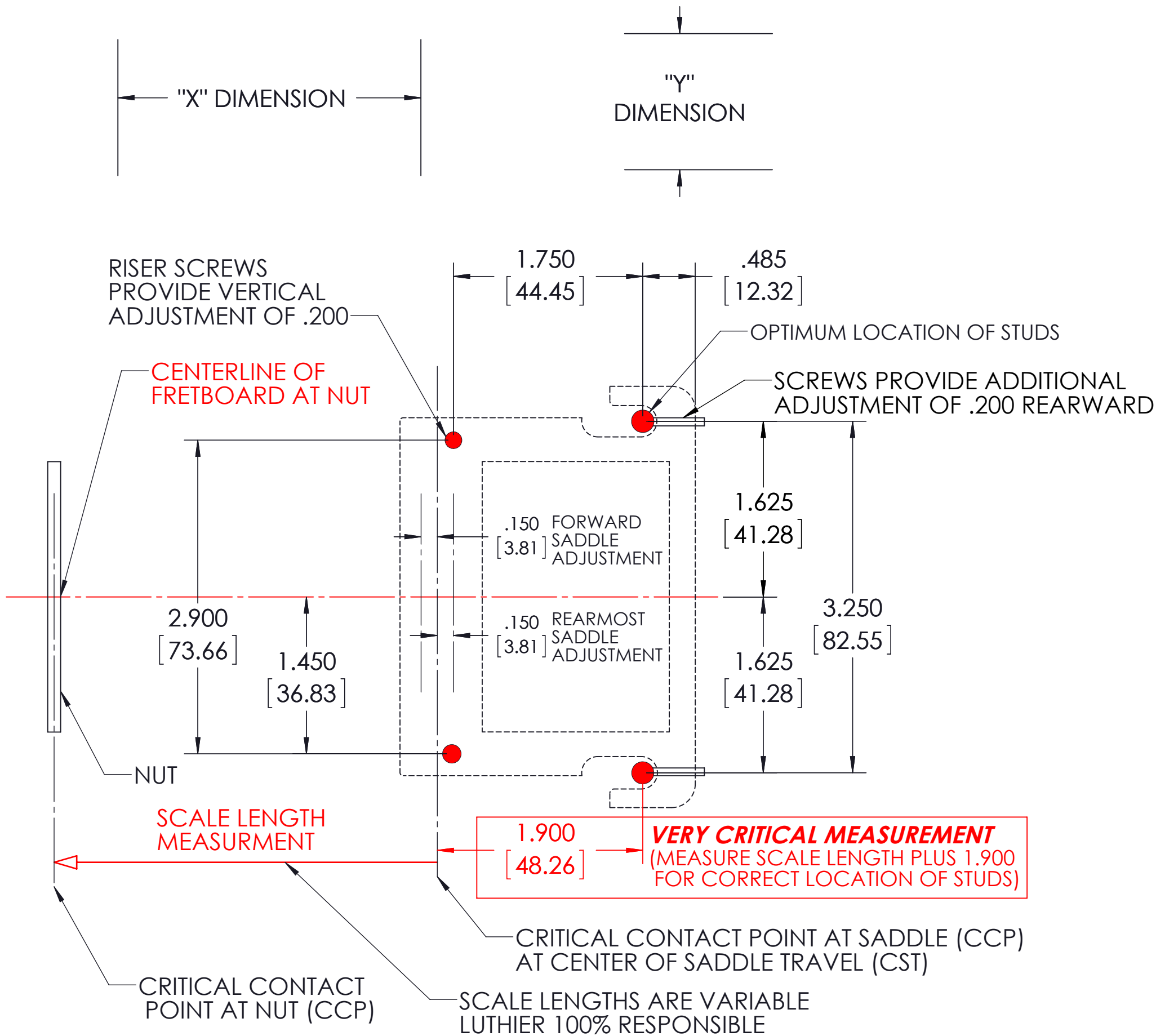
# INSTALLATION INSTRUCTIONS

FOR TREMOLO BRIDGES 2200, 2210, 2215, 2220  
SIX STRING SERIES



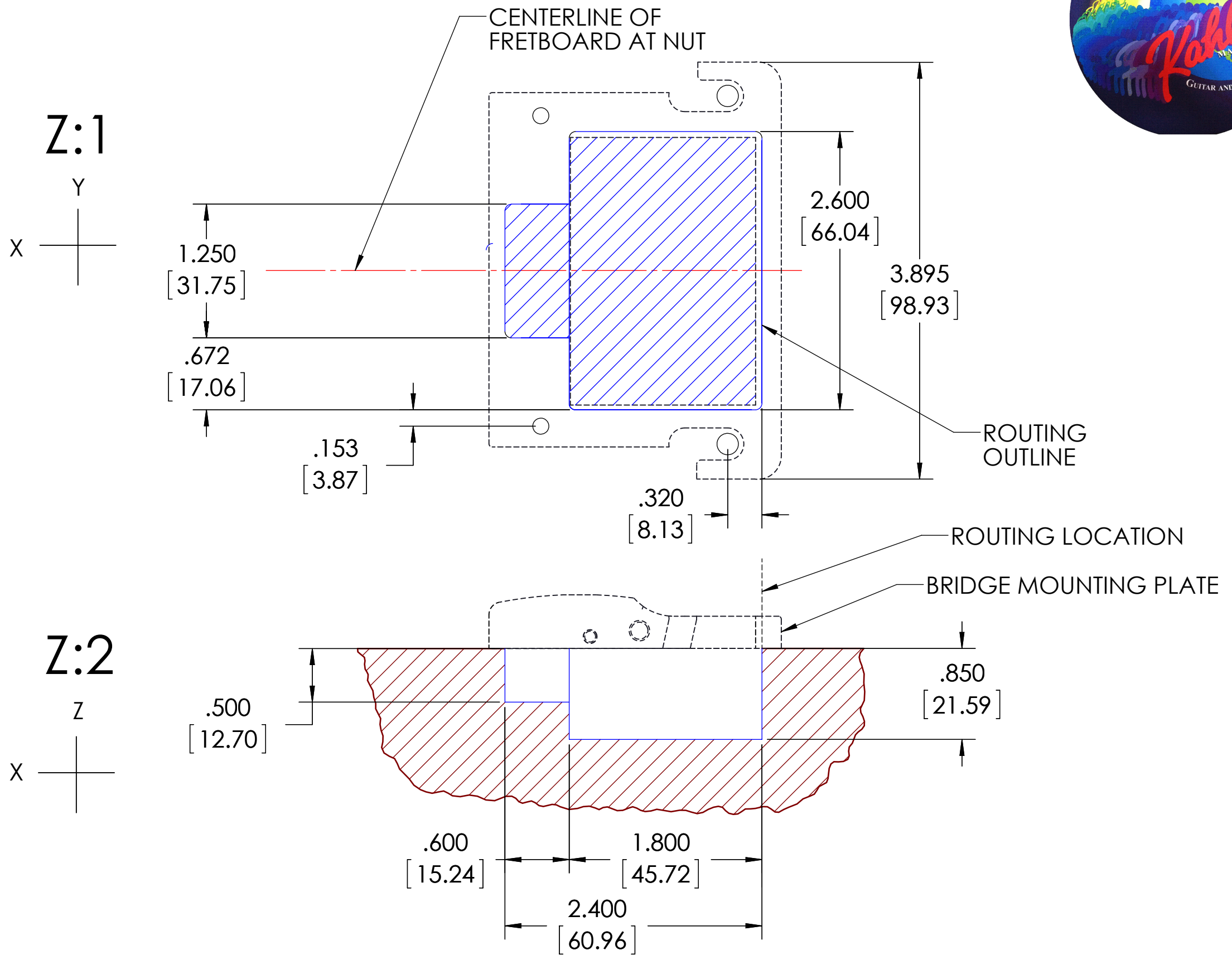
**X** : LOCATION OF STUD MOUNTING HOLES (USE CENTERLINE OF FRETBOARD).  
**SCALE LENGTH MEASUREMENT FOR CORRECT INTONATION** IS FROM CRITICAL CONTACT POINT (CCP) AT NUT AND TO THE CENTER OF SADDLE TRAVEL (CST).

**Y** : LOCATION OF (2) STUD MOUNTING HOLES (USE CENTERLINE OF FRETBOARD)  
**ALIGNMENT LEFT & RIGHT FOR CORRECT STRING LOCATION** ON FRETBOARD. (NOTE: L-R SADDLE ADJUSTMENTS ON BRIDGE).

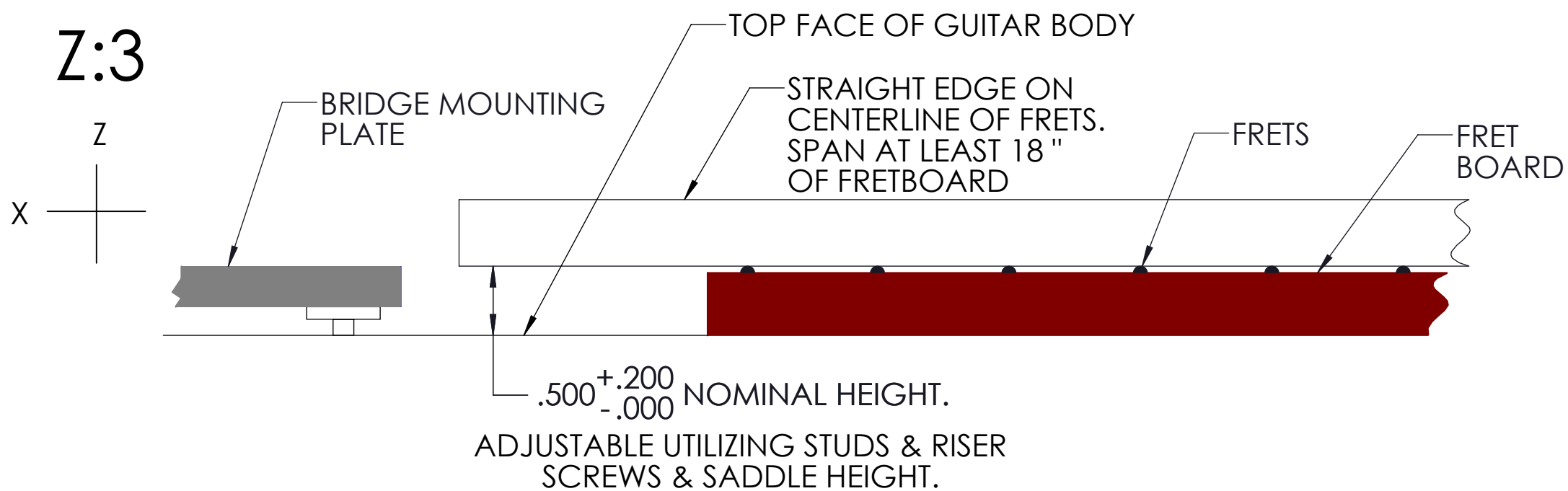


DWG is to offer assistance to a qualified Luthier. We do not guarantee 100% satisfaction on this DWG, therefore the Luthier is 100% responsible for the measurements and routings.	KAHLER INTERNATIONAL INC.		
	TITLE: LOCATION MEASUREMENTS ASSY: 2200, 2210, 2215, 2220		
	DWG. NO. 5790RIMA		
	DRAWN: TASC	DATE: 03/21/11	SCALE: 1:1

## LOCATION FOR ROUTING SHAPE AND DEPTH FOR CORRECT CAM AND SPRING ACTION



### BRIDGE MOUNTING PLATE LOCATION AND HEIGHT MEASUREMENT FOR **CORRECT STRING ACTION**



DWG is to offer assistance to a qualified Luthier. We do not guarantee 100% satisfaction on this DWG, therefore the Luthier is 100% responsible for the measurements and routings.	KAHLER INTERNATIONAL INC.		
	TITLE: ROUTING/FRET HT. MEASUREMENTS ASSY: 2200, 2210, 2215, 2220		
	DWG. NO. 5790RIMA		
	DRAWN: TASC	DATE: 03/21/11	SCALE: 1:1