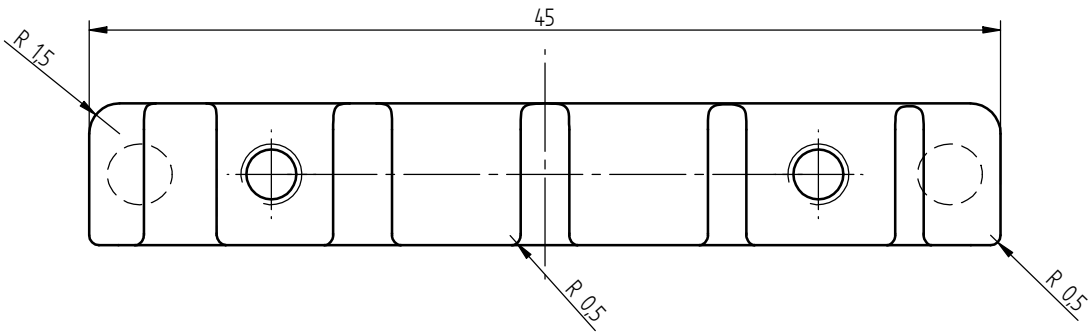
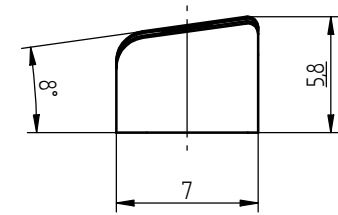
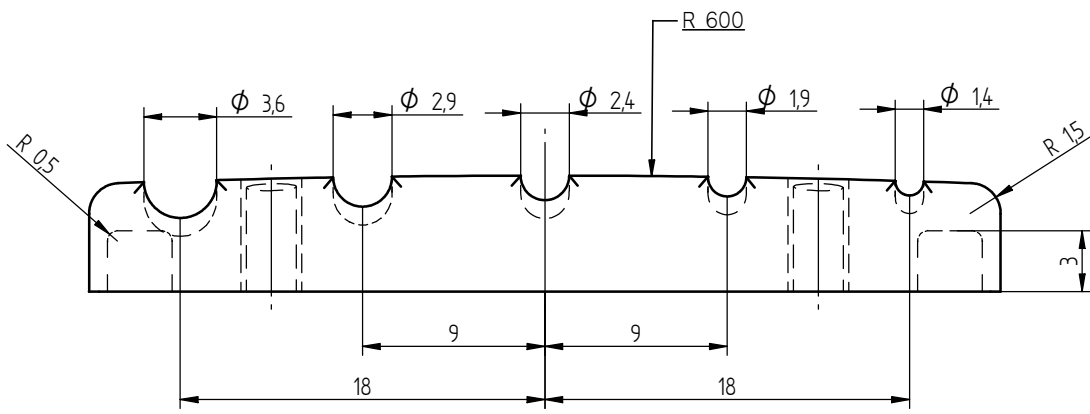
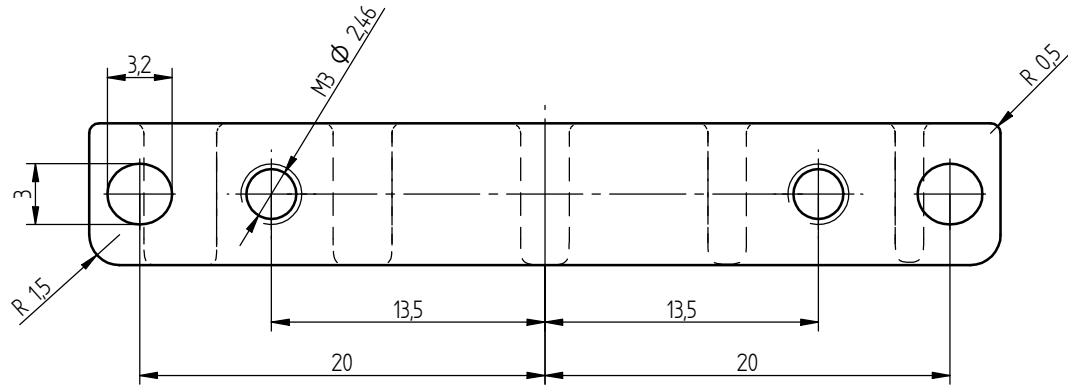


REVISION HISTORY

REV	DESCRIPTION	DATE	APPROVED



	NAME	DATE	SOLID EDGE UGS - The PLM Company		
DRAWN	D.Glass	04/10/06			TITLE
CHECKED					
ENG APPR					
MGR APPR					
UNLESS OTHERWISE SPECIFIED DIMENSIONS ARE IN MILLIMETERS ANGLES ±XX° 2 PL ±X.XX 3 PL ±X.XXX			SIZE	DWG NO	REV
			A3		
			FILE NAME: 5 Saiter schmal RH.dft		
SCALE:	WEIGHT:	SHEET 1 OF 2			