

1

2

3

4

A

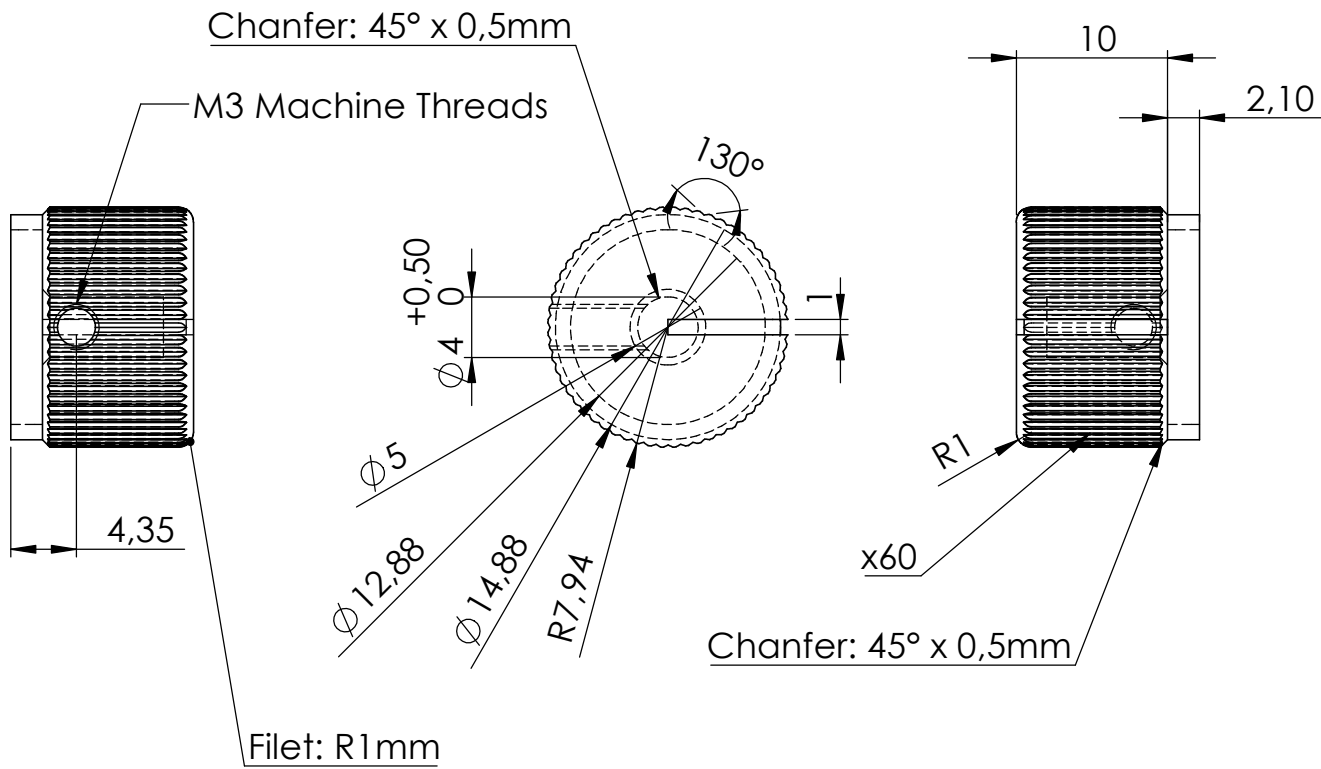
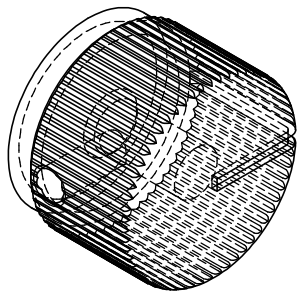
B

C

D

E

F



Warwick®

Warwick Gmbh & Co Music Equipment KG
 Gewerbepark 46
 D-08258 Markneukirchen
 Tel : +49 (0) 37422 555 - 0
 Fax : +49 (0) 37422 555- 9999
 e-mail : info@warwick.de

	NAME	DATE
DRAWN	Maxime Beau	Freitag, 6. August 2021
CHK'D		A-01
Scale 2:1	SHEET 1 OF 1	A4

SP S 30515 BK
 Top Part / Aluminium

Copyright
 This drawing is the property of Warwick Gmbh & Co Music Equipment KG.
 The information given on it is protected by copyright and any form of copying or reproduction is strictly forbidden.

A

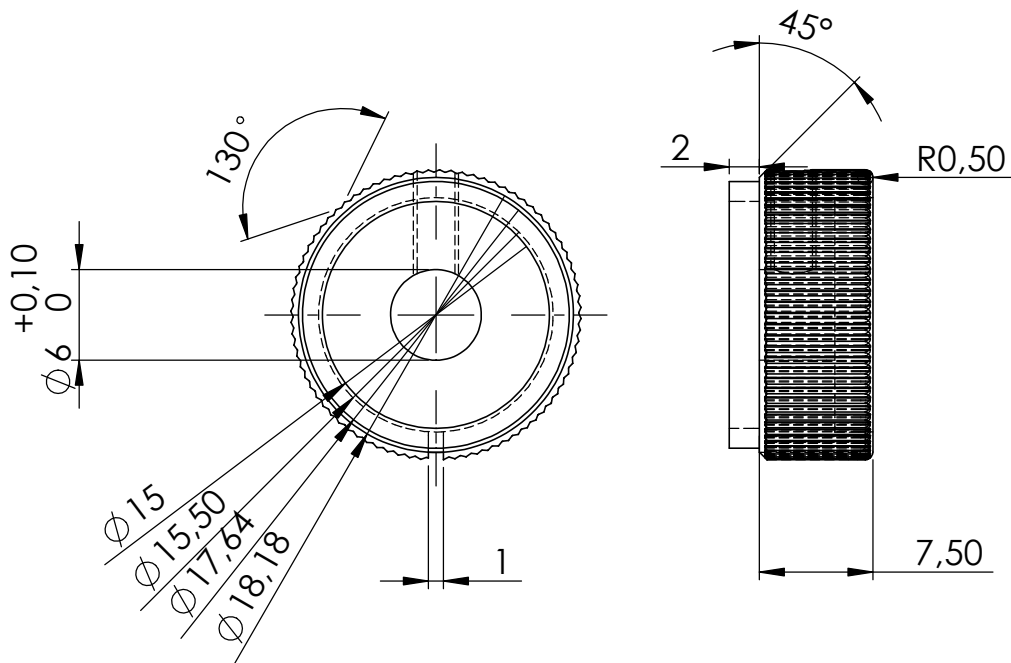
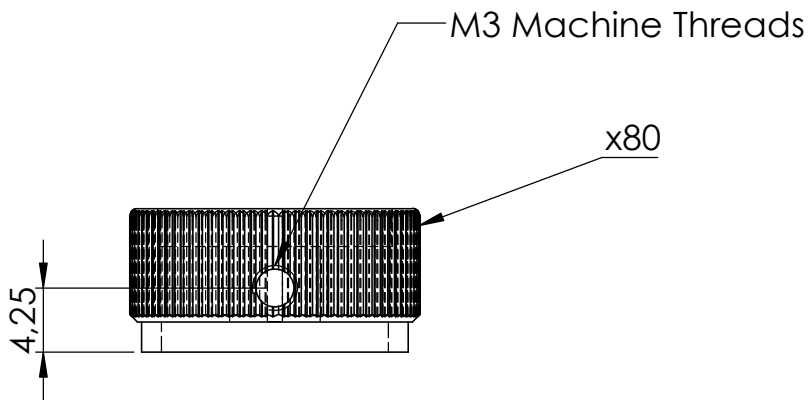
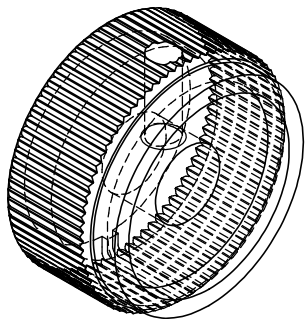
B

C

D

E

F



Warwick®

Warwick Gmbh & Co Music Equipment KG
 Gewerbepark 46
 D-08258 Markneukirchen
 Tel : +49 (0) 37422 555 - 0
 Fax : +49 (0) 37422 555- 9999
 e-mail : info@warwick.de

	NAME	DATE
DRAWN	Maxime Beau	Freitag, 6. August 2021
CHK'D		A-01
Scale 2:1	SHEET 1 OF 1	A4

SP S 30515 BK
 Bottom Part / Aluminium

Copyright
 This drawing is the property of Warwick Gmbh & Co Music Equipment KG.
 The information given on it is protected by copyright and any form of copying or reproduction is strictly forbidden.