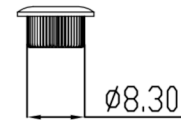
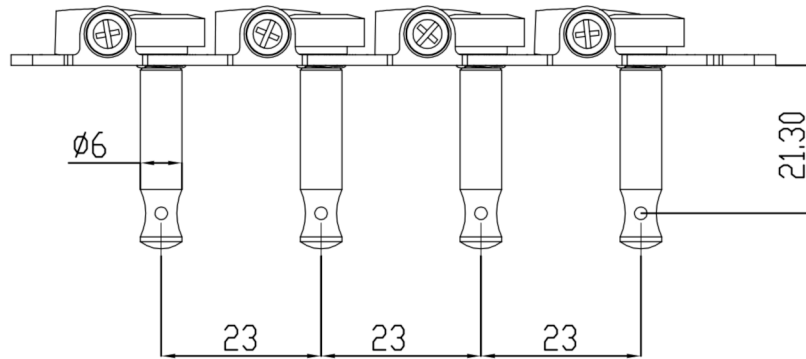
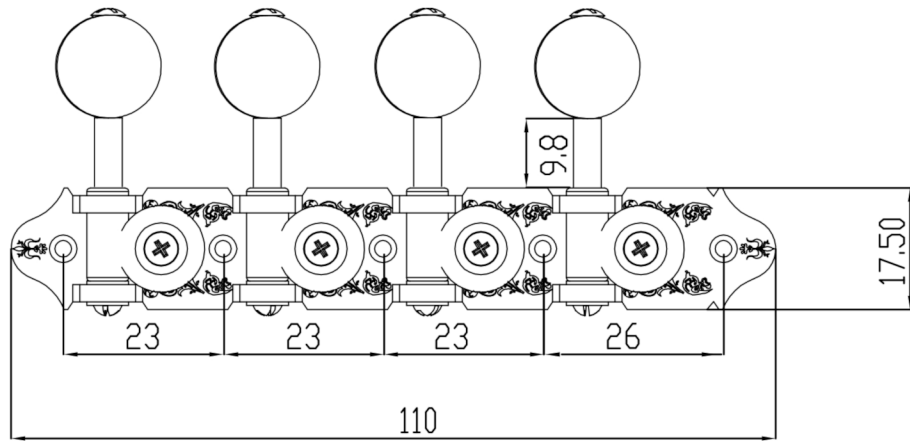


Rev No.	Date	Revisions	By
A			



Part Name **409A**

Drawn By	Checked By	Approved By	Rev.