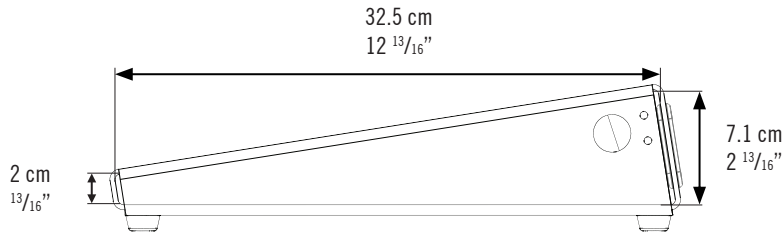




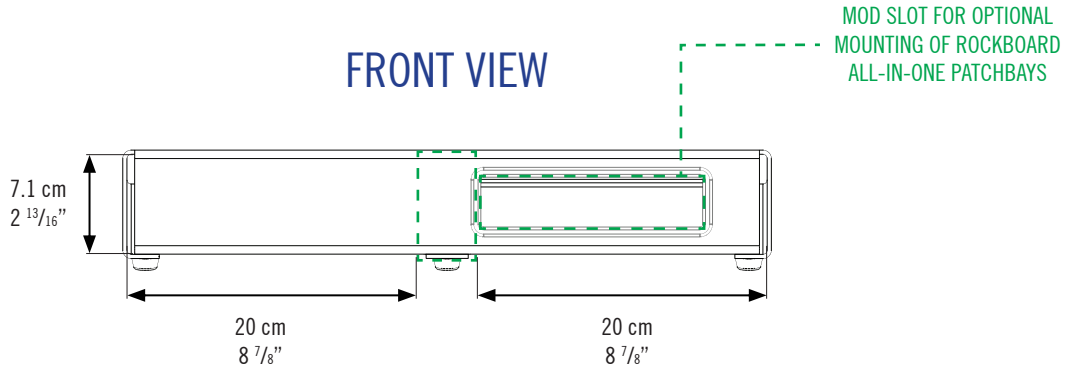
QUAD 4.1

POWER SUPPLY PLACEMENT - MAXIMUM SPACE UNDERNEATH THE BOARD

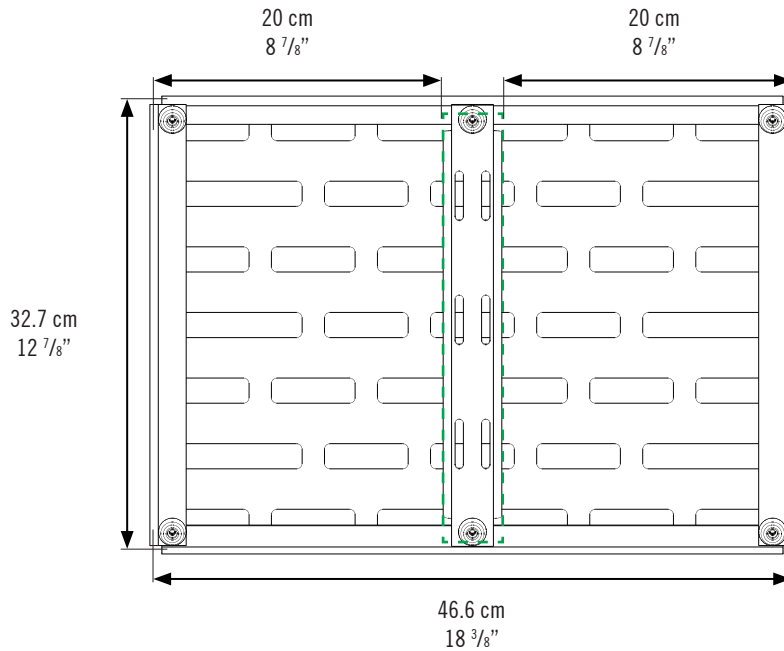
SIDE VIEW



FRONT VIEW



UNDERNEATH VIEW

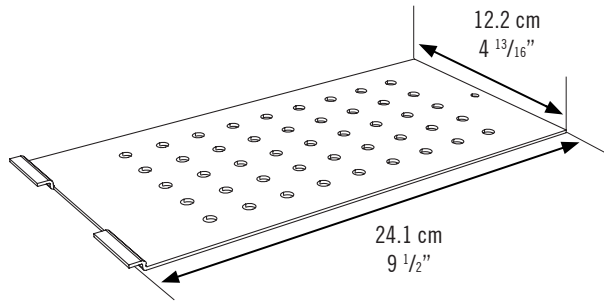




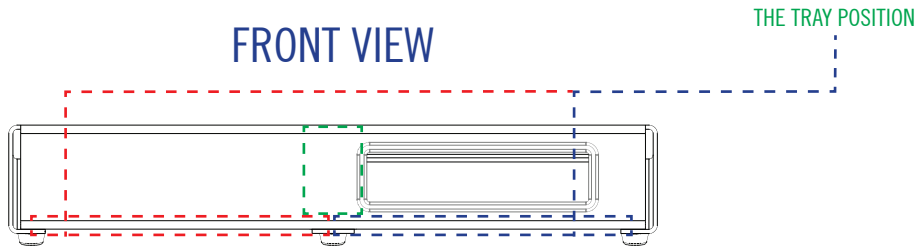
QUAD 4.1

POWER SUPPLY PLACEMENT - MAXIMUM SPACE UNDERNEATH THE BOARD

THE TRAY



FRONT VIEW



UNDERNEATH VIEW OPTIONAL TRAY POSITIONS (4 TOTAL)

