

4

3

2

1

F

F

E

E

D

D

C

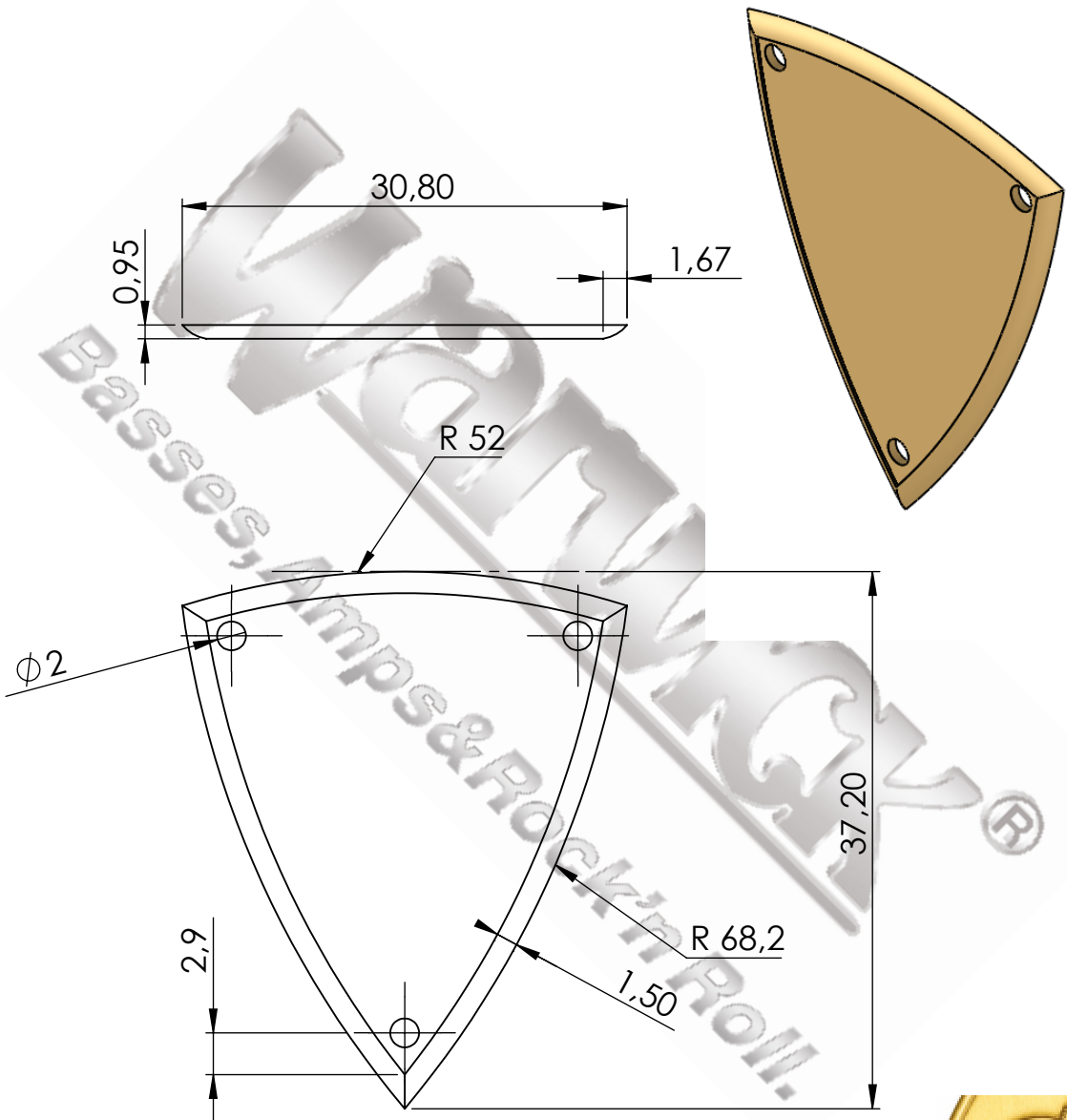
C

B

B

A

A



Logo FRAMUS in Blue:



UNLESS OTHERWISE SPECIFIED:
DIMENSIONS ARE IN MILLIMETERS

DO NOT SCALE DRAWING

REVISION

Copyright: The drawing is property of Warwick GmbH&Co
Music Equipment KG.
The information given on it is protected by copyright any form
of copying or reproduction is strictly forbidden.

TITLE:

Framus Vintage: Truss Rod
Cover / Gold & Blue

Warwick GmbH & Co. Music Equipment KG
Gewerbepark 46
08258 Markneukirchen

DWG NO.

FRV COVER 00003

A4

18.11.19 by M.Beau

SHEET 3 OF 4

4

3

2

1