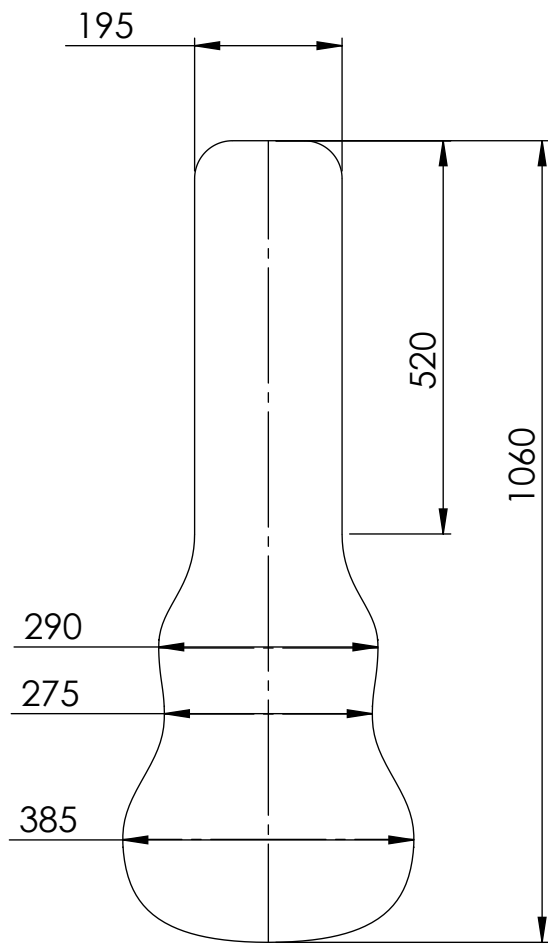
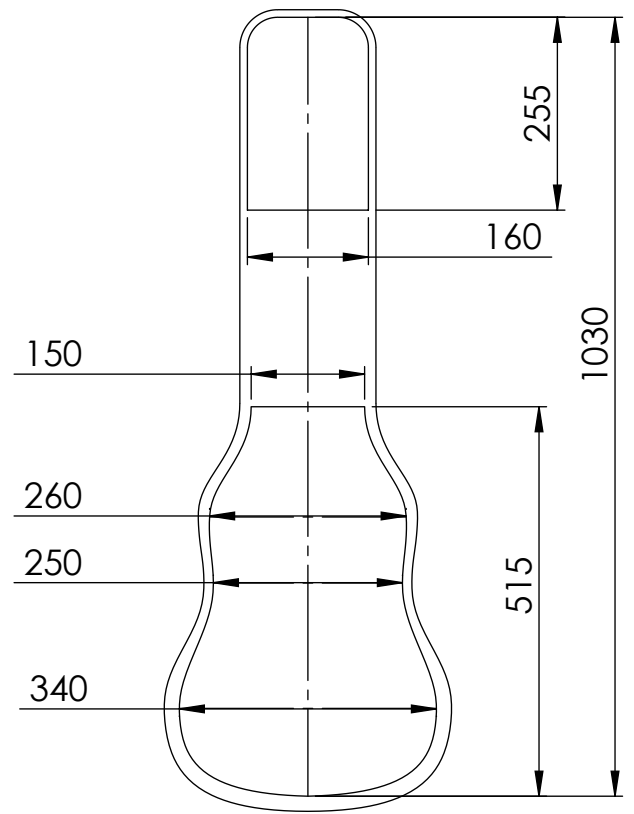


RC ABS 10404 B



outside



inside