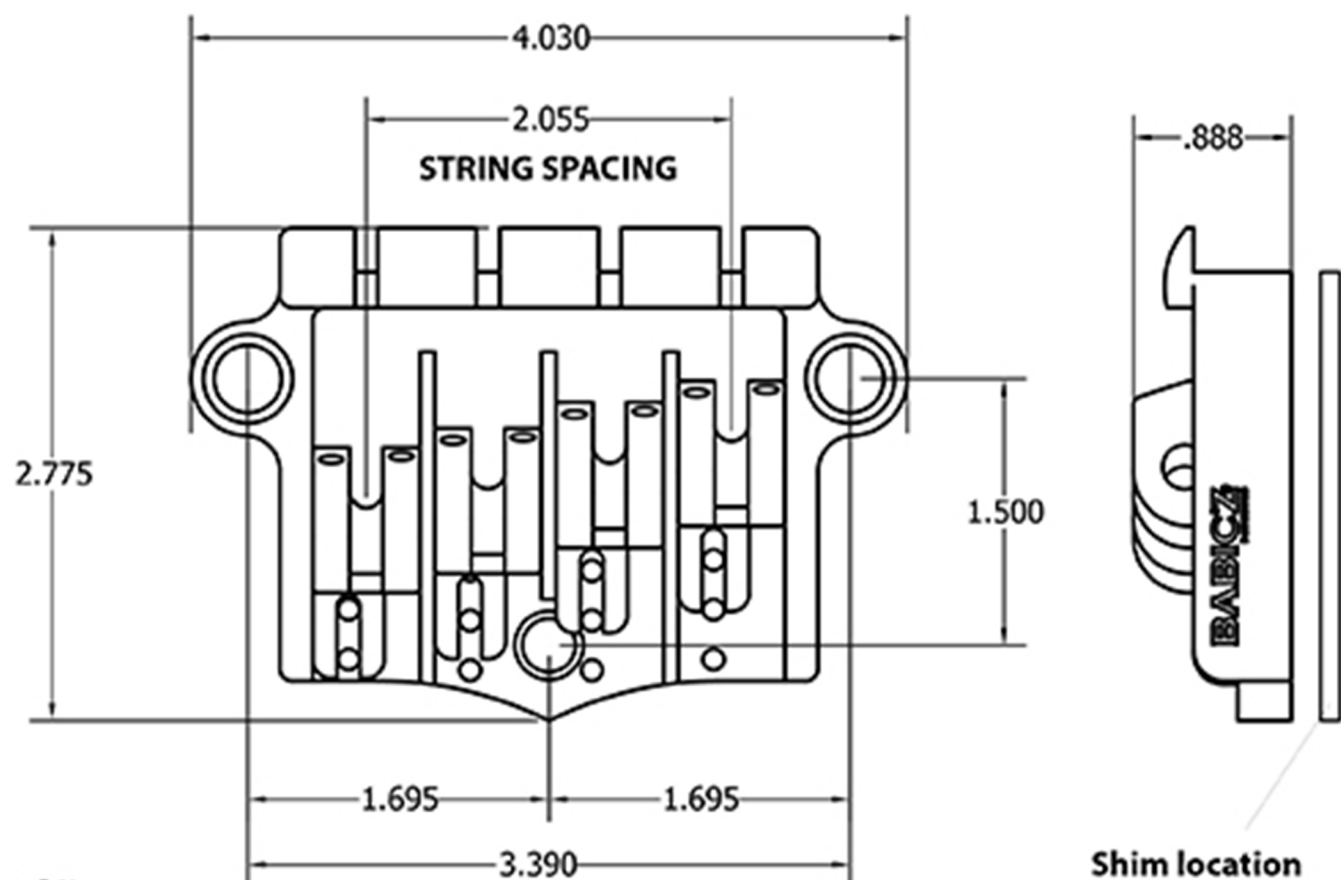
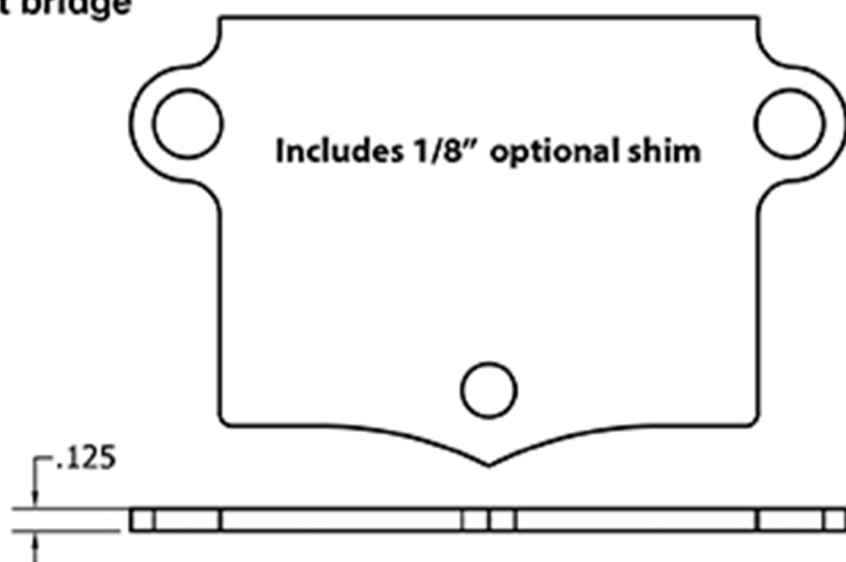


# Babicz Full Contact Hardware FCH 3-Point Bass Bridge (Gibson Style)



Fits most Gibson  
basses equipped  
with a 3-Point bridge



M8 mounting studs

CONFIDENTIAL & PROPRIETARY

NO PART OF THIS DRAWING MAY BE USED OR REPRODUCED WITHOUT THE WRITTEN CONSENT OF BABICZ DESIGN LTD. NOR SHALL ANY PART OF THIS DOCUMENT BE USED EXCEPT WITHIN THE TERMS LISTED UNDER AN AUTHORIZED AGREEMENT ISSUED BY BABICZ DESIGN LTD.

PROPERTY OF:  
BABICZ DESIGN LTD.

Drawing & Design  
by Jeffrey T. Babicz Sr.



All Dimensions = INCHES  
Not to scale