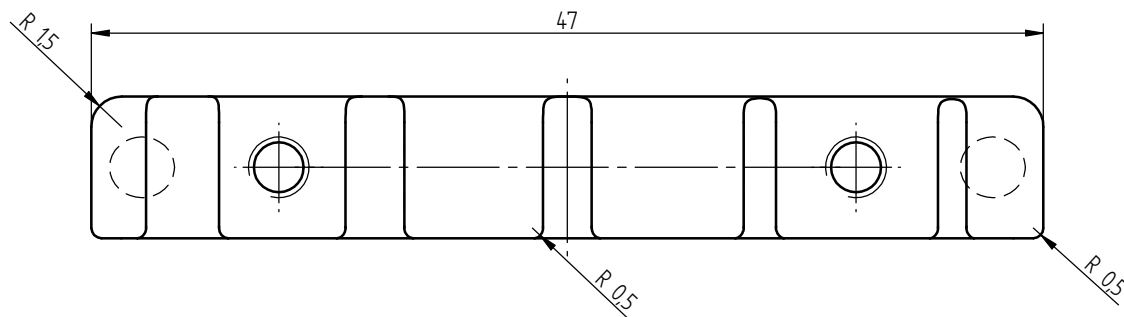
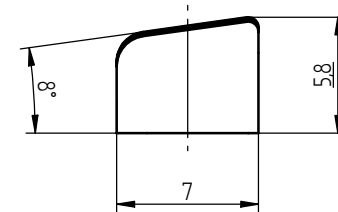
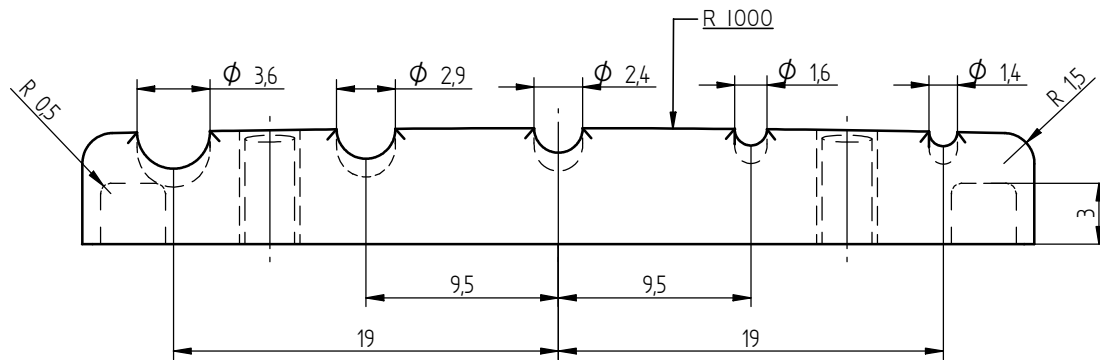
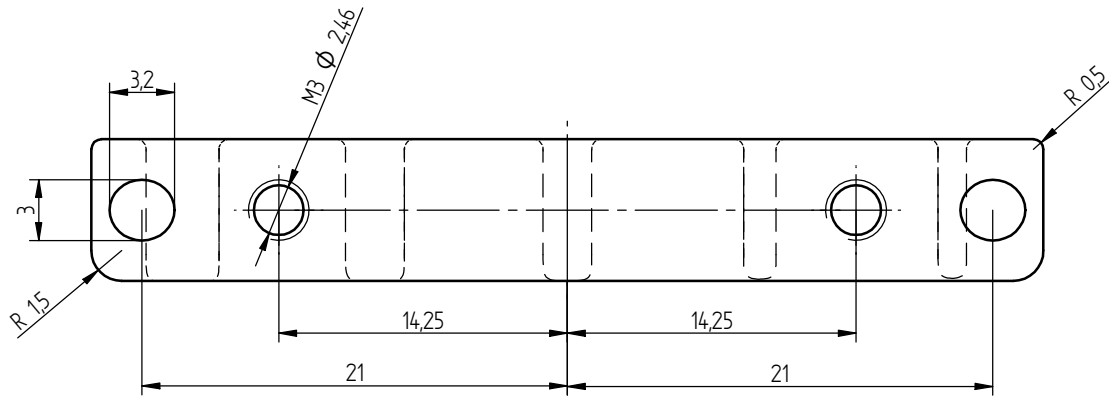


REVISION HISTORY

| REV | DESCRIPTION | DATE | APPROVED |
|-----|-------------|------|----------|
| | | | |



| NAME | | DATE | TITLE | | |
|--|---------|----------|--|--------|-----|
| DRAWN | D.Glass | 04/10/06 | SOLID EDGE UGS - The PLM Company | | |
| CHECKED | | | | | |
| ENG APPR | | | | | |
| MGR APPR | | | SIZE | DWG NO | REV |
| UNLESS OTHERWISE SPECIFIED DIMENSIONS ARE IN MILLIMETERS ANGLES ±XX° 2 PL ±XXX 3 PL ±XXXX | | | A3 | | |
| | | | FILE NAME: 5 Saiter breit RH.dft | | |
| SCALE: | | WEIGHT: | SHEET 1 OF 2 | | |