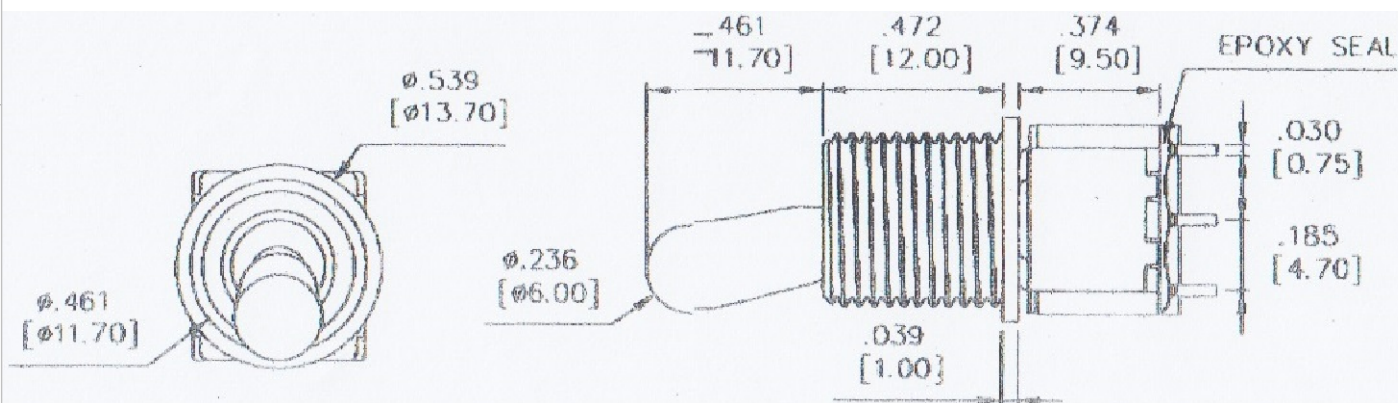
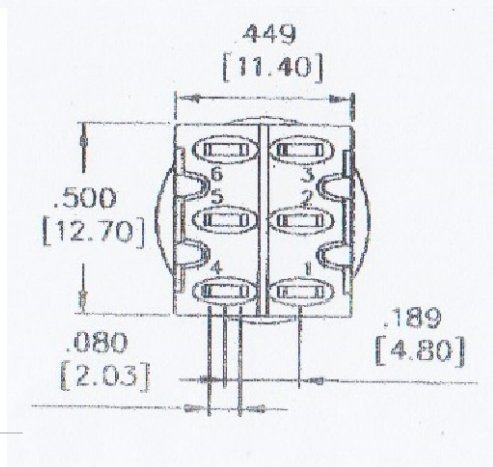


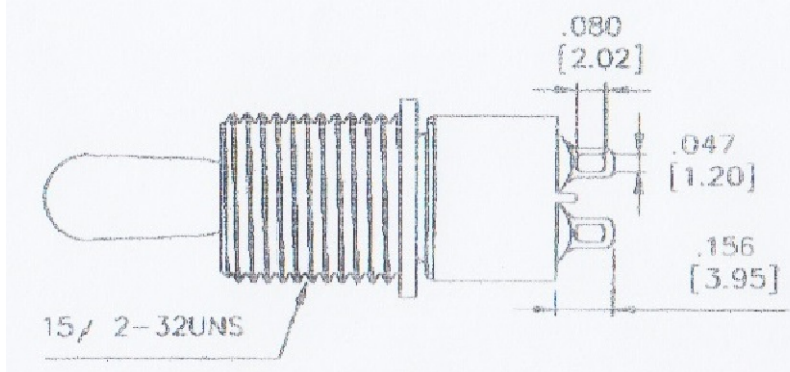
A



B



C



D

### SPECIFICATIONS:

1. MOVEABLE CONTACT: Copper alloy with gold plated over nickel plated
2. TERMINALS: Copper alloy, gold plated over nickel plated
3. RATING: 0.4VA max @ 20V max (AC or DC)
4. CONTACT RESISTANCE: 10m-ohms min.
5. INSULATION RESISTANCE: 1,000M-ohms min.
6. DIELECTRIC STRENGTH: 1,500V RMS @ sea level
7. ELECTRICAL LIFE: 50,000 make and break cycles at full load
8. OPERATING TEMPERATURE: -30°C to 85°C

E



F

Warwick Gmbh & Co Music Equipment KG  
 Gewerbepark 46  
 D-08258 Markneukirchen  
 Tel : +49 (0) 37422 555 - 0  
 Fax : +49 (0) 37422 555- 9999  
 e-mail : info@warwick.de

	NAME	DATE
DRAWN		13/12/2007
CHK'D	MEC	A-01
	Scale 1:1	SHEET 2 OF 6
		A4

M 80018

**Copyright**  
 This drawing is the property of Warwick Gmbh & Co Music Equipment KG.  
 The information given on it is protected by copyright and any form of copying or reproduction is strictly forbidden.