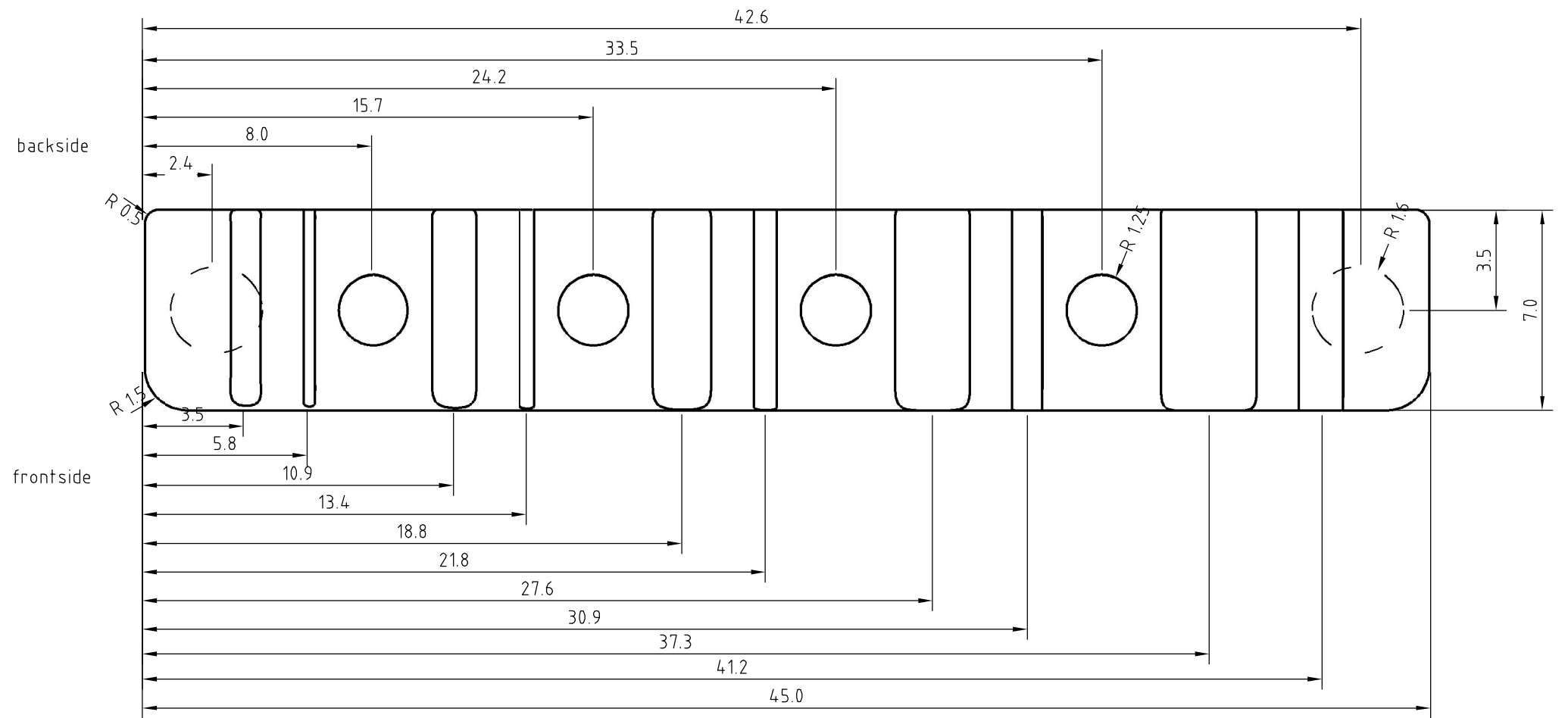
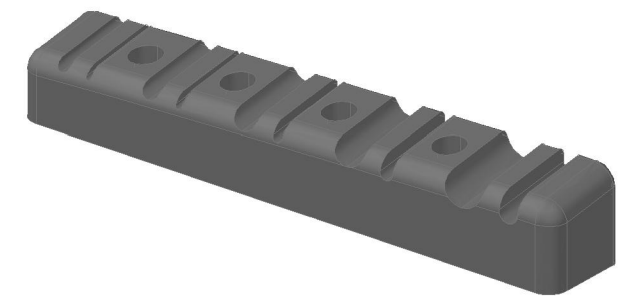
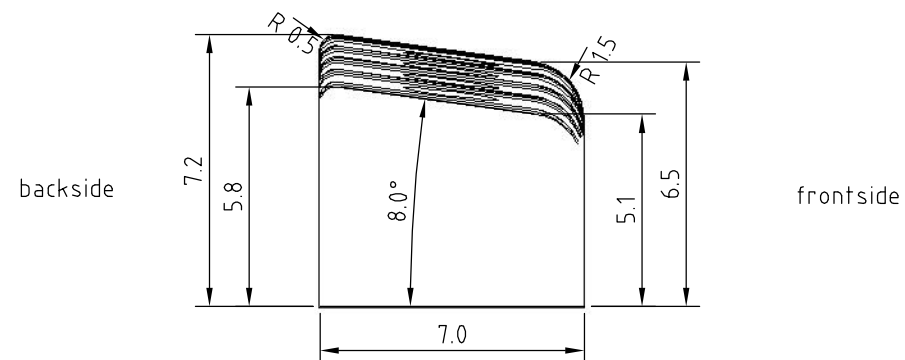
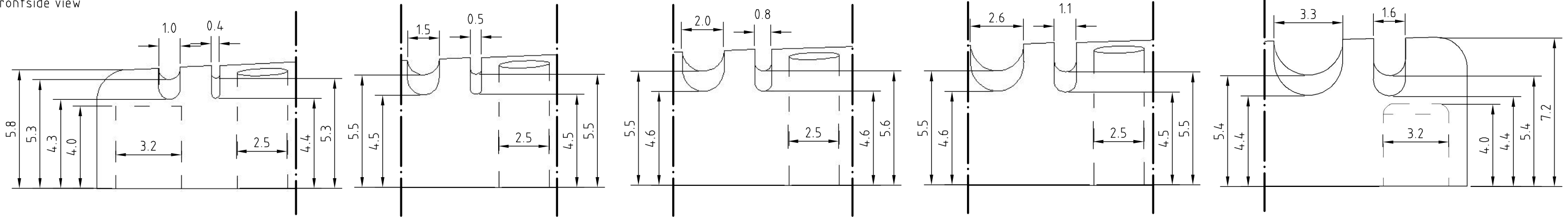


X 30245 -10 III TR
Just a Nut3 10S 45 mm

scale: 5:1 [mm]
material: Tedur L 9523
if not specified all tolerances +/- 0.1 mm



frontside view



Warwick®
Basses, Amps & Rock'n Roll.

Warwick GmbH & Co Music Equipment KG
Gewerbegebiet Wohlhausen
D-08258 Markneukirchen
Tel. +49 (0) 37422 555 0
Fax. +49 (0) 37422 555 99

updated 11.02.2008

X 30245-10 III TR
construction drawing