

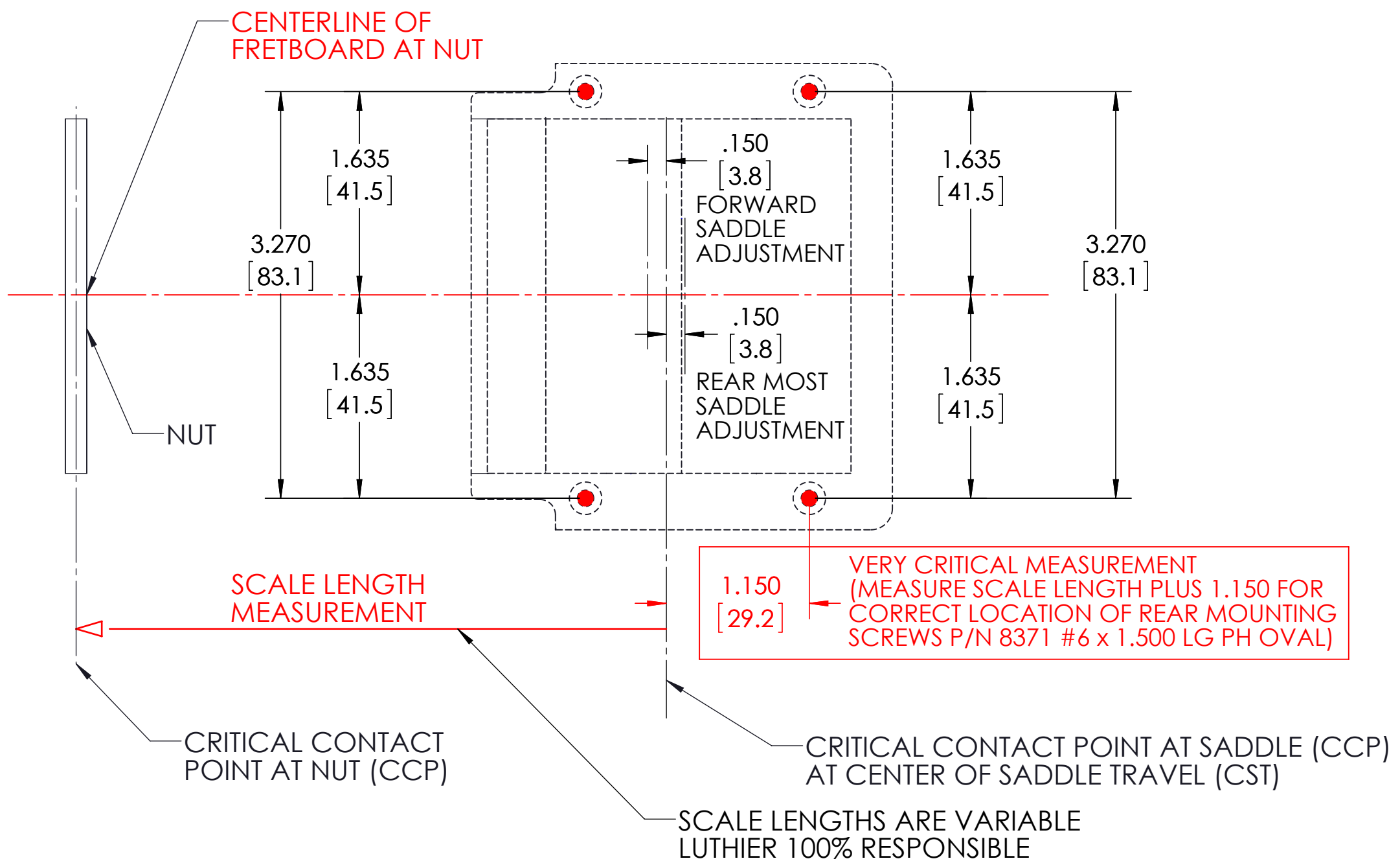
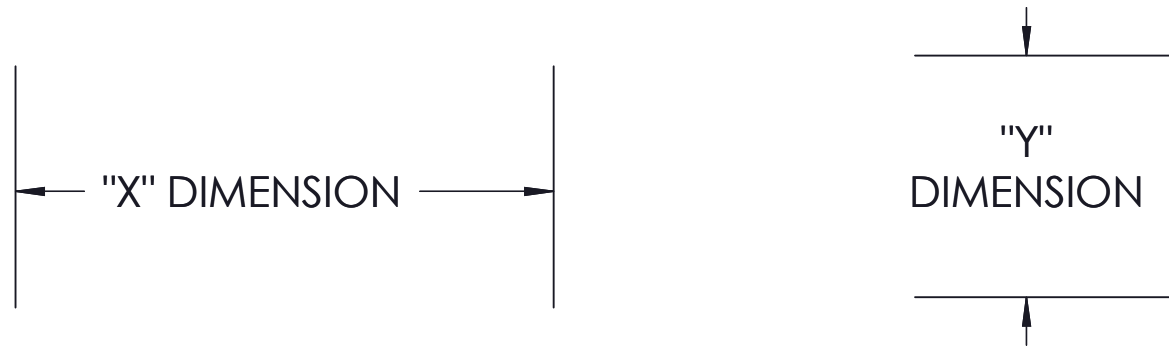
# INSTALLATION INSTRUCTIONS

FOR TREMOLO BRIDGES 2410R-W4, 2410R-N5  
 (REARWARD SADDLE INTONATING ONLY)



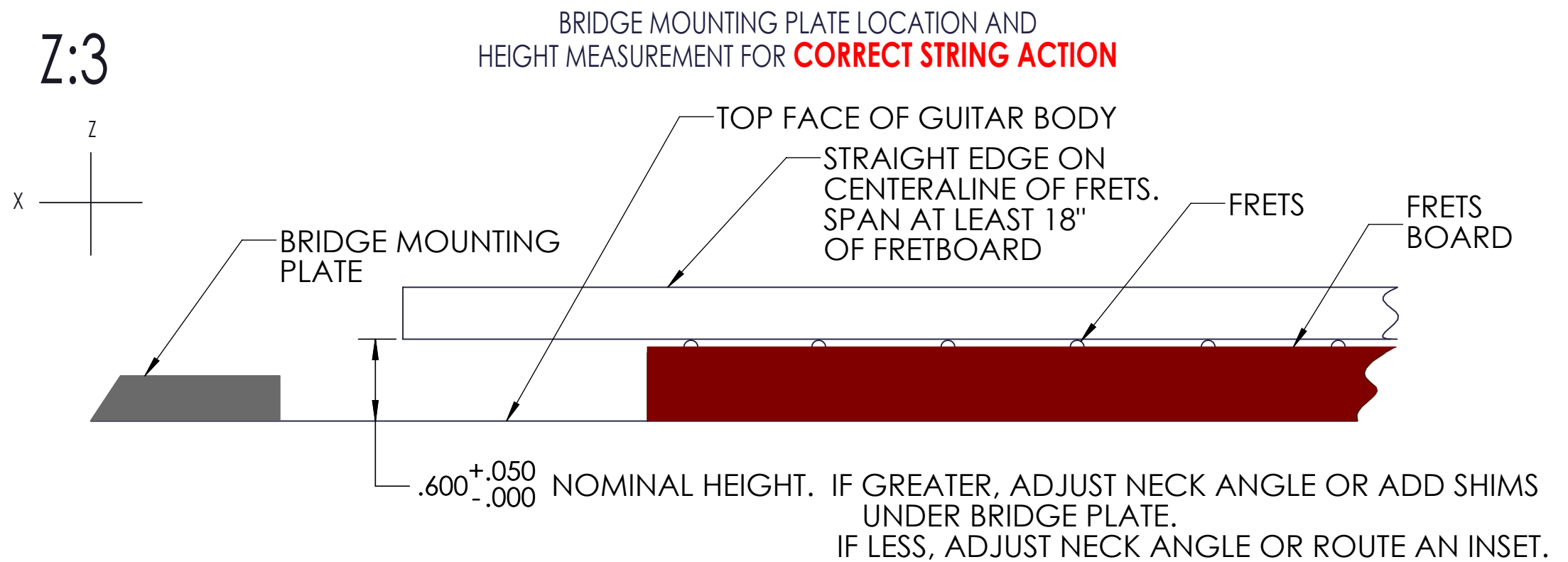
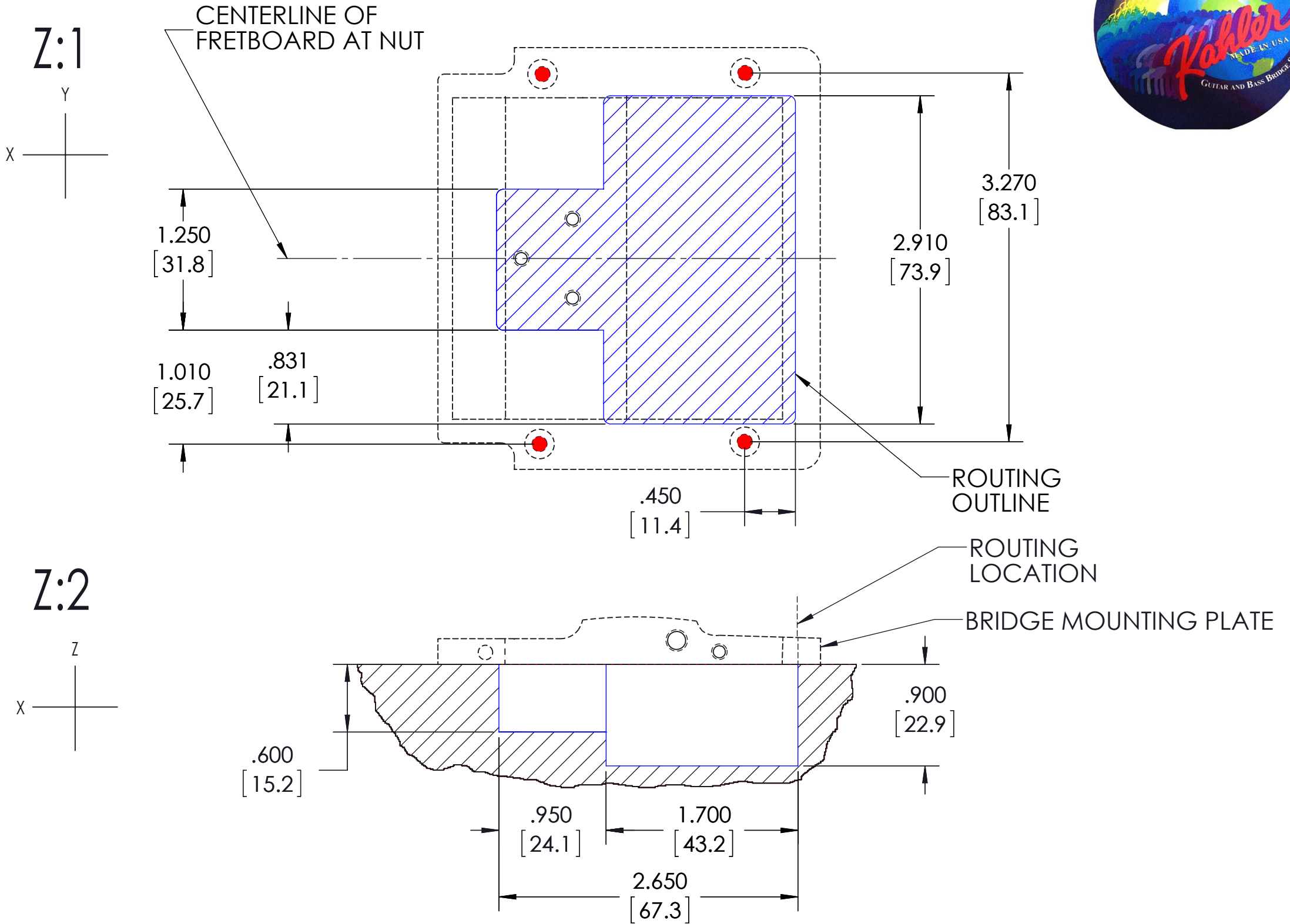
**X**: LOCATION OF (2) FRONT MOUNTING HOLES (USE CENTERLINE OF FRETBOARD).  
**SCALE LENGTH MEASUREMENT FOR CORRECT INTONATION** IS FROM CRITICAL CONTACT POINT (CCP) AT NUT AND TO THE CENTER OF SADDLE TRAVEL (CST).

**Y**: LOCATION OF (2) REAR MOUNTING HOLES (USE CENTERLINE OF FRETBOARD)  
**ALIGNMENT LEFT & RIGHT FOR CORRECT STRING LOCATION** ON FRETBOARD. (NOTE: L-R SADDLE ADJUSTMENTS ON BRIDGE).



DWG is to offer assistance to a qualified Luthier. We do not guarantee 100% satisfaction on this DWG, therefore the Luthier is 100% responsible for the measurements and routings. "A GUIDE ONLY"	KAHLER INTERNATIONAL INC.		
	LOCATION MEASUREMENTS ASSY: 2410R-W4, 2410R-N5		
	DWG. NO. 6224RIMA		
	DRAWN: TASC	DATE: 03/21/11	SCALE: 1:1

LOCATION FOR ROUTING SHAPE AND DEPTH FOR  
**CORRECT CAM AND SPRING ACTION**



DWG is to offer assistance to a qualified Luthier. We do not guarantee 100% satisfaction on this DWG, therefore the Luthier is 100% responsible for the measurements and routings. "A GUIDE ONLY"			
<b>KAHLER INTERNATIONAL INC.</b>			
TITLE:		ROUTING/FRET HT. MEASUREMENTS ASSY: 2410-15, 4410-15, 7410-15	
DWG. NO.		6224RIMA	
DRAWN:	TASC	DATE:	03/21/11
		SCALE:	1:1