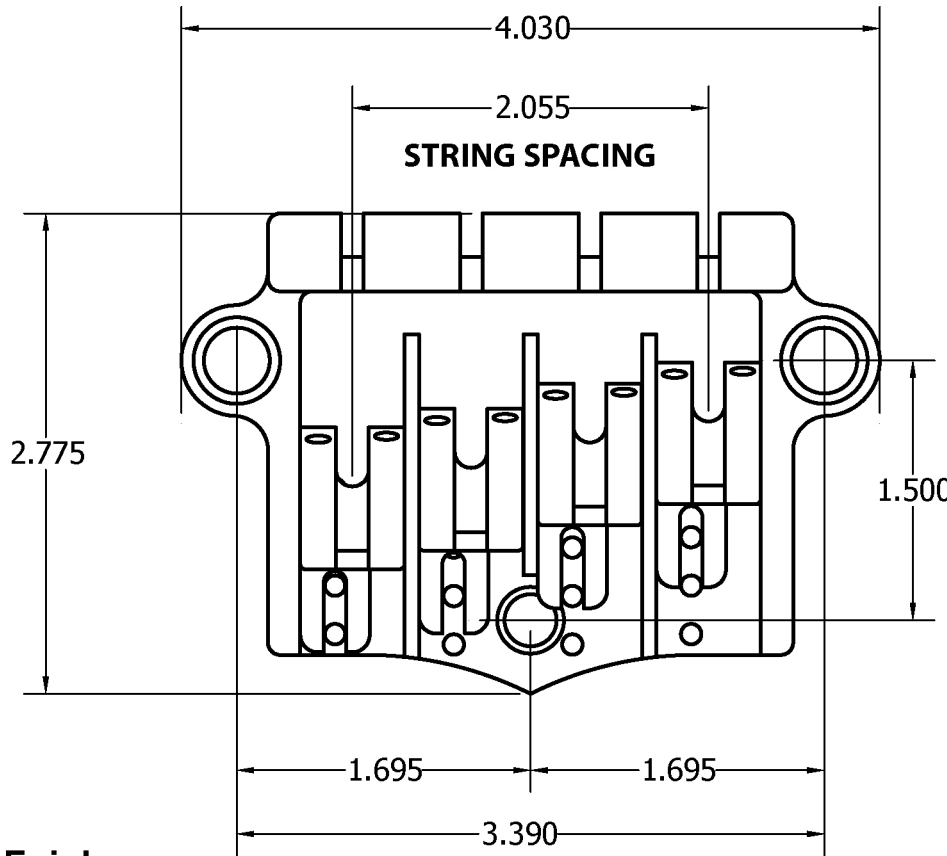


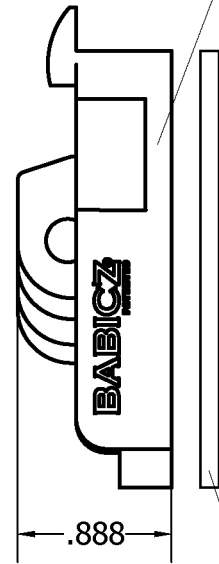
# Babicz Full Contact Hardware

## FCH 3-Point Bass Bridge

### (For Epiphone Basses)

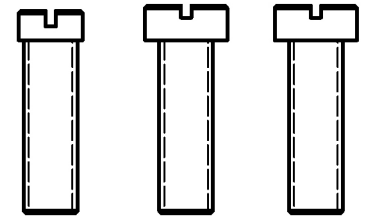
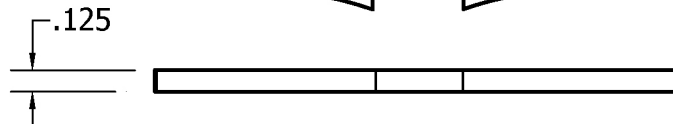
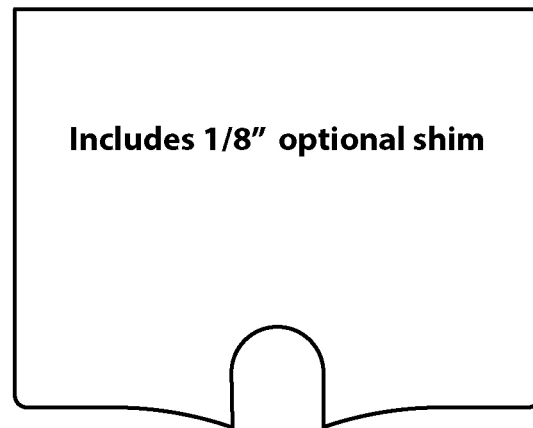


Recess for Epiphone  
shoulder body inserts



Shim location

Fits most Epiphone  
basses equipped  
with a 3-Point bridge



M8 mounting studs



Optional Wave Washers



Optional Flat Washers

CONFIDENTIAL & PROPRIETARY

NO PART OF THIS DRAWING MAY BE USED OR REPRODUCED WITHOUT THE WRITTEN CONSENT OF BABICZ DESIGN LTD, NOR SHALL ANY PART OF THIS DOCUMENT BE USED EXCEPT WITHIN THE TERMS LISTED UNDER AN AUTHORIZED AGREEMENT ISSUED BY BABICZ DESIGN LTD.

PROPERTY OF:  
BABICZ DESIGN LTD.

Drawing & Design  
by Jeffrey T. Babicz Sr.



All Dimensions = INCHES  
Not to scale