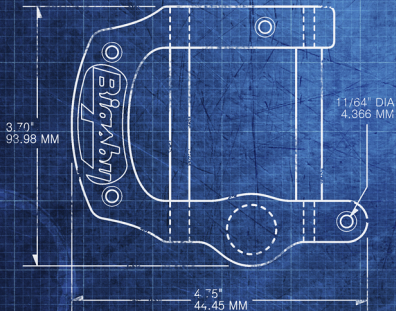




SIDE VIEW



PLAN VIEW



Bigsby B-5 Specifications

Model Name: B-5  
 Series: Original Kalamazoo Line  
 Manufacturing Method: Cast  
 Manufacturing Material: Aluminum  
 Approximate Weight: 287 Grams  
 Overall Length: 4.75" / 120.65mm  
 Overall Width: 3.7" / 93.98mm

• Designed for use on flat top electric guitars

<i>Paul A. Bigsby</i>		DATE
DESCRIPTION		DATE
REVISIONS		
<b>Bigsby</b>		PAUL A. BIGSBY 8134 E. PHYLOR STREET DOWNEY, CALIFORNIA
TITLE: <b>BIGSBY B5 VIBRATO</b>		
SIZE:	QND. NO.:	REV.:
A	B500012	-
SCALE: 1:14	DATE:	SHEET: 1 OF 1