

USE 9/16"
SOCKET
FOR NUT

0.490in [12.4mm]

0.750in [19.1mm]

0.141in [3.6mm]

0.439in [11.2mm]
DISTANCE FROM
CENTER OF
STRING POST HOLE
TO CENTER OF
MOUNTING
SCREW HOLE

COMPATIBLE WITH
9/16in [14mm]
HEADSTOCK HOLE

2.781in [70.6mm]

1.330in [33.8mm]

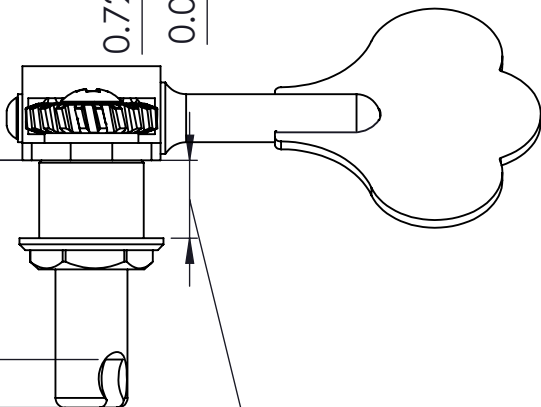
1.557in [39.5mm]

1.038in [26.4mm]

1.288in [32.7mm]

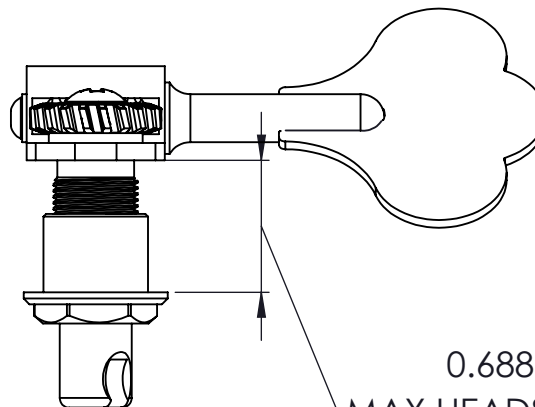
0.720in [18.3mm]

0.082in [2.1mm]



0.406in [10.3mm]
MIN HEADSTOCK
THICKNESS

WEIGHT (WITH MOUNTING HARDWARE): 1.77oz [50g]



0.688in [17.5mm]
MAX HEADSTOCK THICKNESS

THIS DRAWING IS THE SOLE PROPERTY OF HIPSHOT PRODUCTS, INC. ALL RIGHTS ARE RESERVED. DIMENSIONS AND PRODUCT FEATURES MAY CHANGE WITHOUT NOTICE.

UNLESS OTHERWISE SPECIFIED: DIMENSIONS ARE IN INCHES TOLERANCE: ± .005

REV DATE:
2/15/2021

20670 ULTRALITE 3-8 CLOVER
KEY



8248 STATE ROUTE 96

Interlaken, NY 14847 U.S.A.

TEL:607-532-9404 FAX:607-532-9530

E-MAIL: info@HipshotProducts.com

Scale

