

A

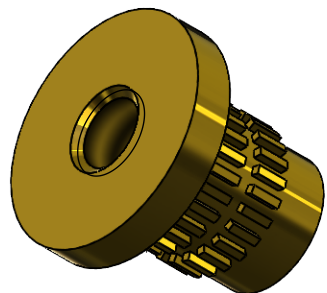
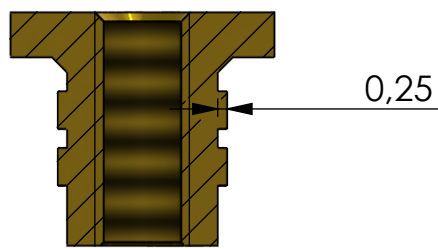
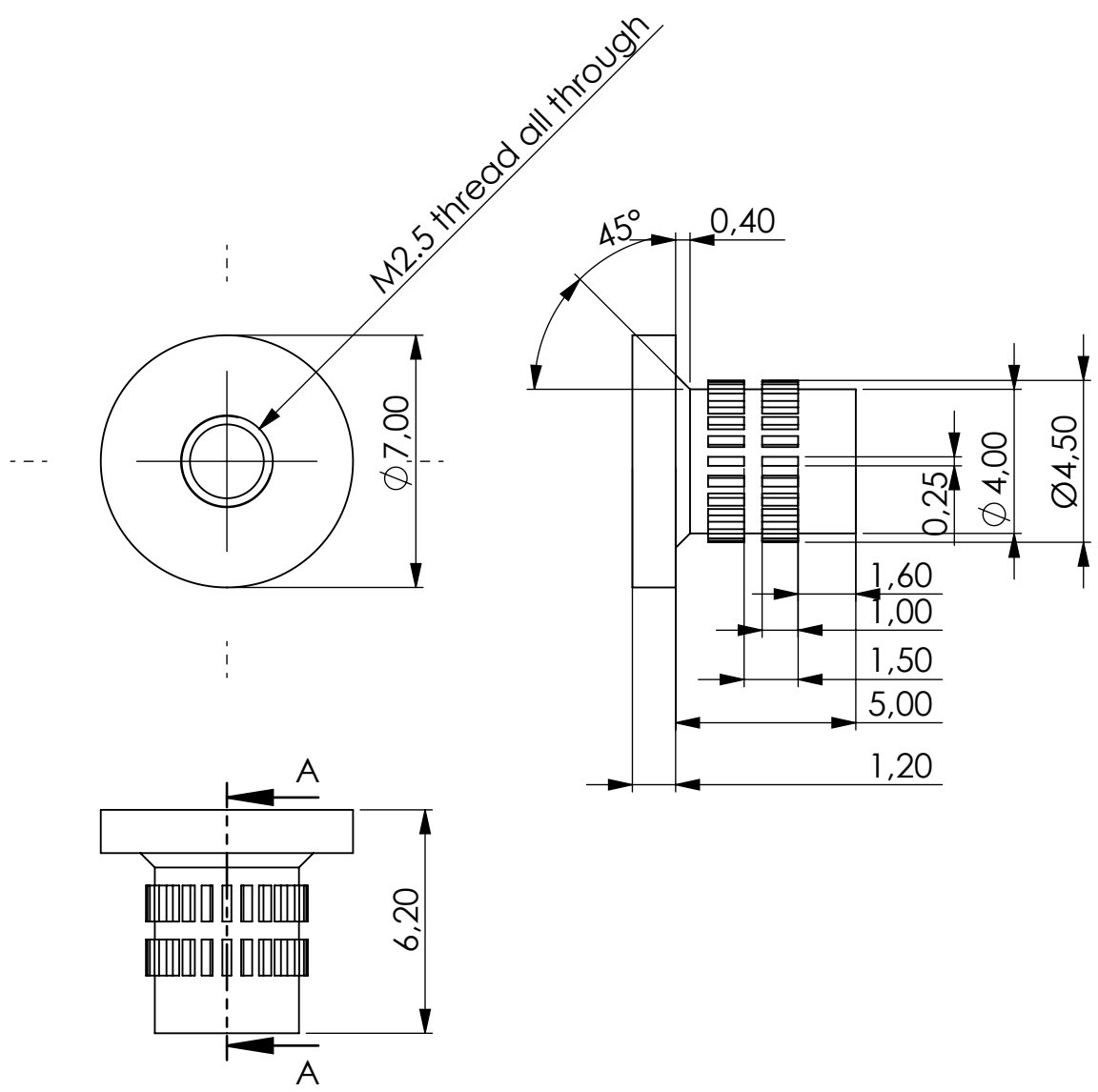
B

C

D

E

F



material:  
solid brass



Warwick Gmbh & Co Music Equipment KG  
 Gewerbepark 46  
 D-08258 Markneukirchen  
 Tel : +49 (0) 37422 555 - 0  
 Fax : +49 (0) 37422 555- 9999  
 e-mail : info@warwick.de

	NAME	DATE
DRAWN		Dienstag, 16. August 2022
CHK'D		A-01
Scale 5:1	SHEET 1 OF 1	<b>A4</b>

Pickup Mount  
 Plug\_30710

**Copyright**  
 This drawing is the property of Warwick Gmbh & Co Music Equipment KG.  
 The information given on it is protected by copyright and any form of copying or reproduction is strictly forbidden.