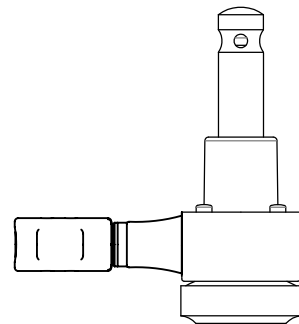
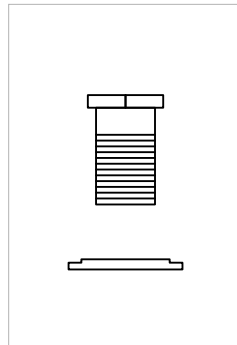
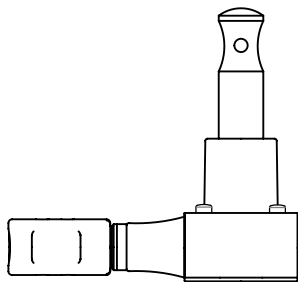
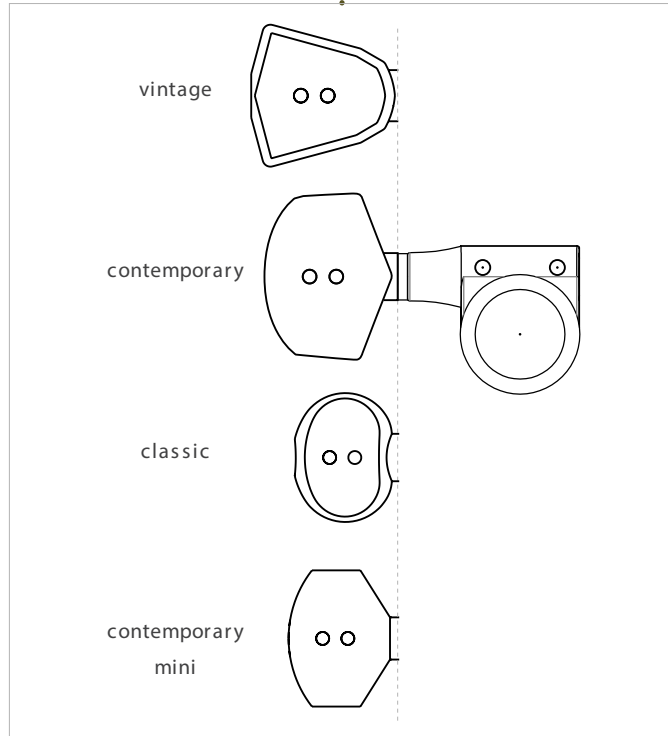


\*print at 100%

two pin standard

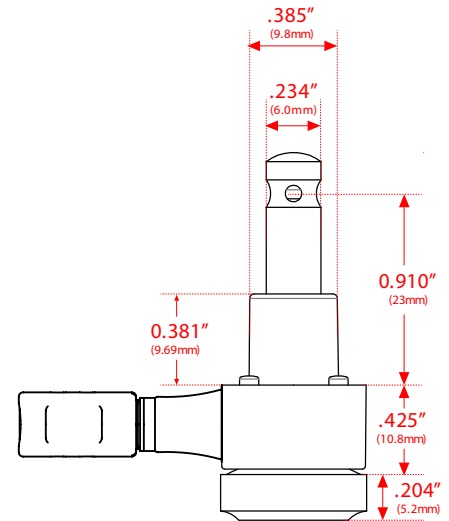
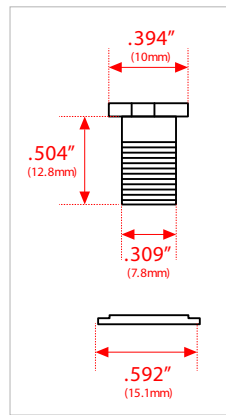
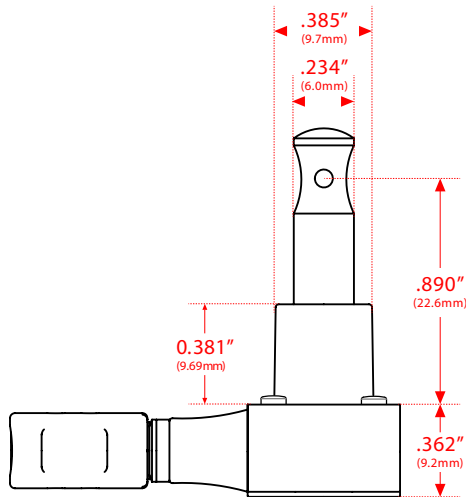
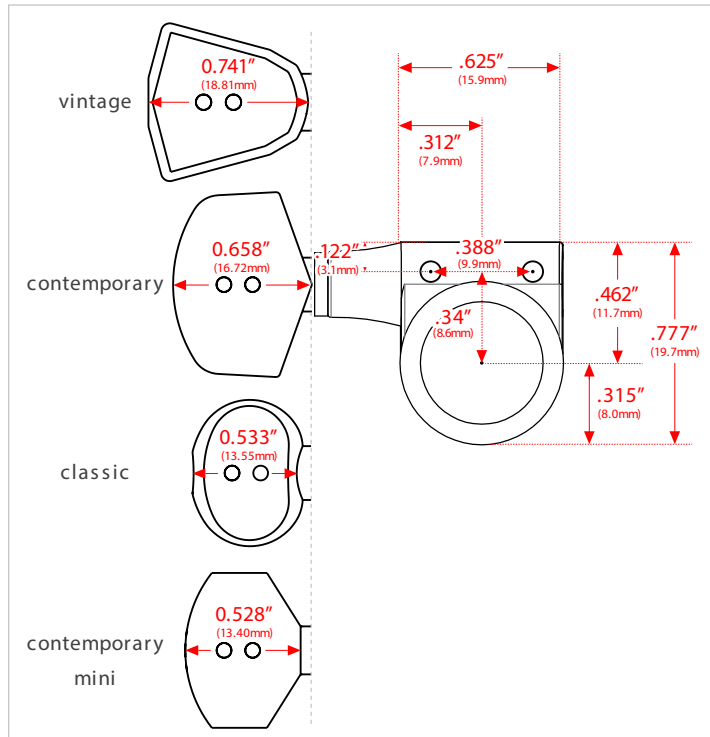
two pin locking



## STANDARD AND LOCKING MACHINE HEAD MEASUREMENTS

two pin standard

two pin locking



Approximate Weight  
(may vary slightly depending on option)

Individual Machine Head

.066lbs  
(30g)

Complete Set  
(6 Machine Heads)

.393bs  
(178.5g)

Approximate Weight  
(may vary slightly depending on button option)

Individual Machine Head

.083lbs  
(37.75g)

Complete Set  
(6 Machine Heads)

.496lbs  
(225g)