

SP S 30178 B 5C 19  
 SP S 30178 B 5B 19  
 SP S 30178 B 5G 19

A

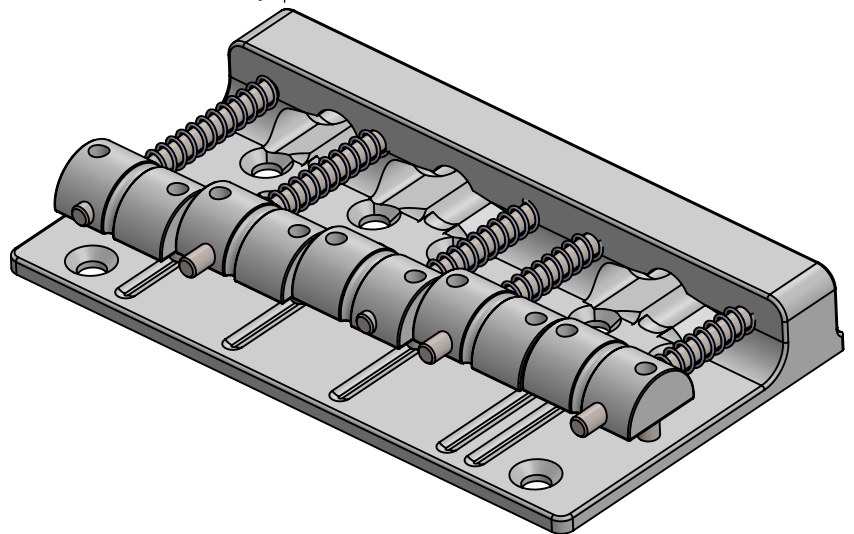
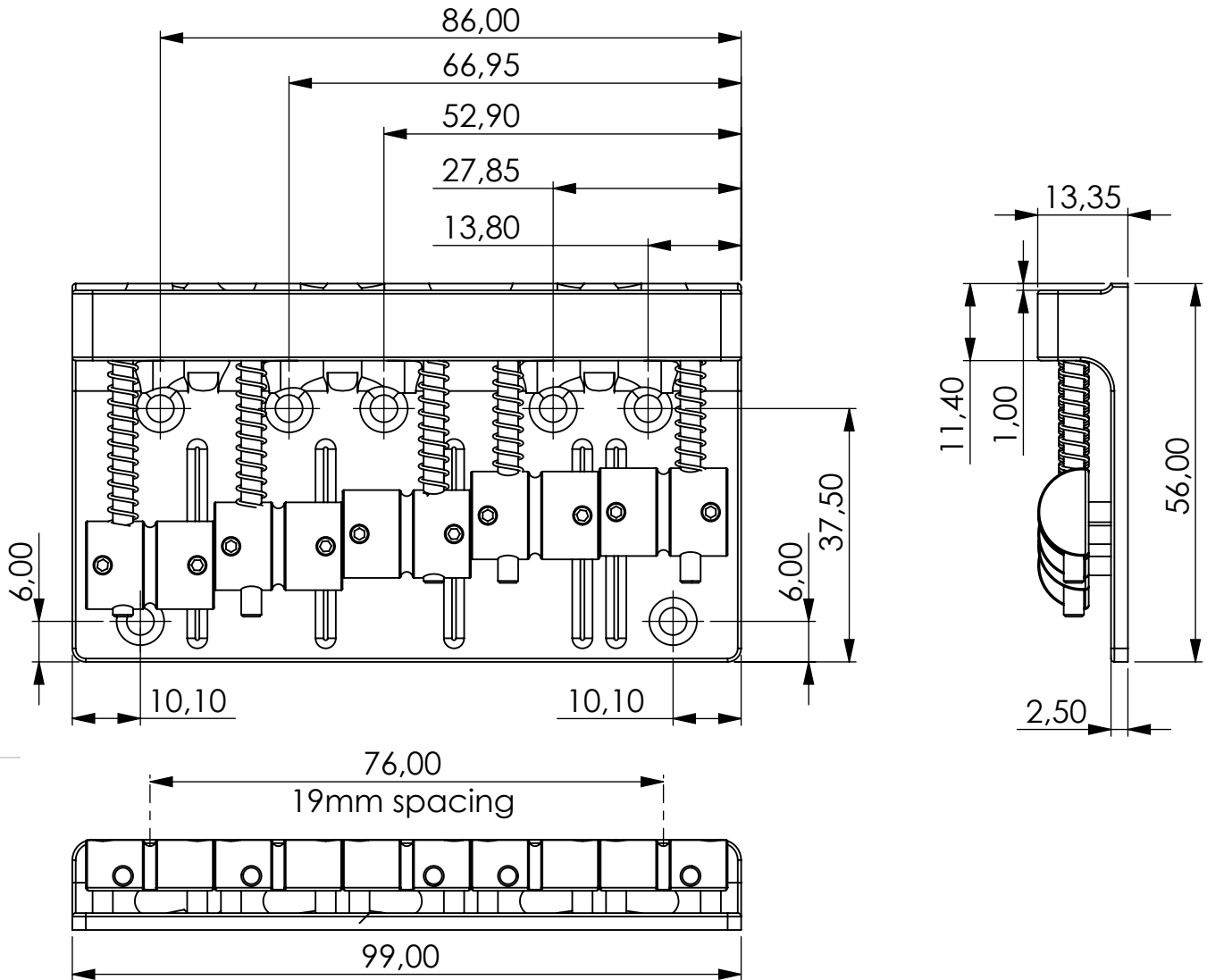
B

C

D

E

F



dimensions in mm

**Sadowsky**<sup>®</sup>

Warwick Gmbh & Co Music Equipment KG  
 Gewerbepark 46  
 D-08258 Markneukirchen  
 Tel : +49 (0) 37422 555 - 0  
 Fax : +49 (0) 37422 555- 9999  
 e-mail : info@warwick.de

	NAME	DATE
DRAWN		Freitag, 31. März 2023
CHK'D		A-01
Scale 1:1	SHEET 4 OF 6	<b>A4</b>

SP S 30178

**Copyright**  
 This drawing is the property of Warwick Gmbh & Co Music Equipment KG.  
 The information given on it is protected by copyright and any form of copying or reproduction is strictly forbidden.