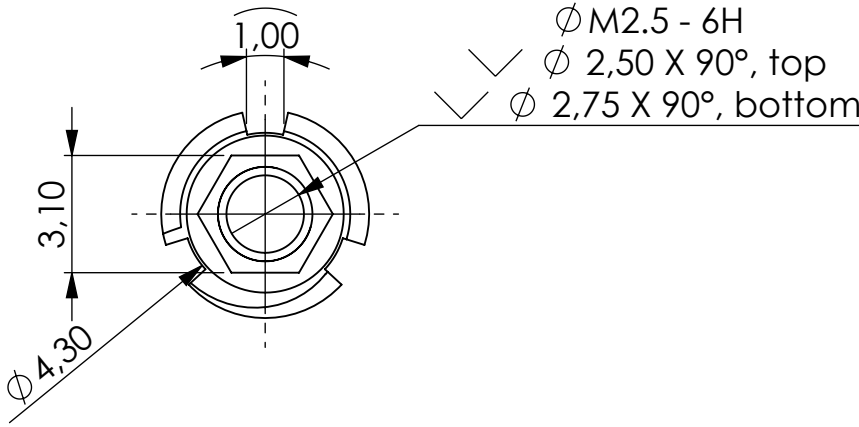
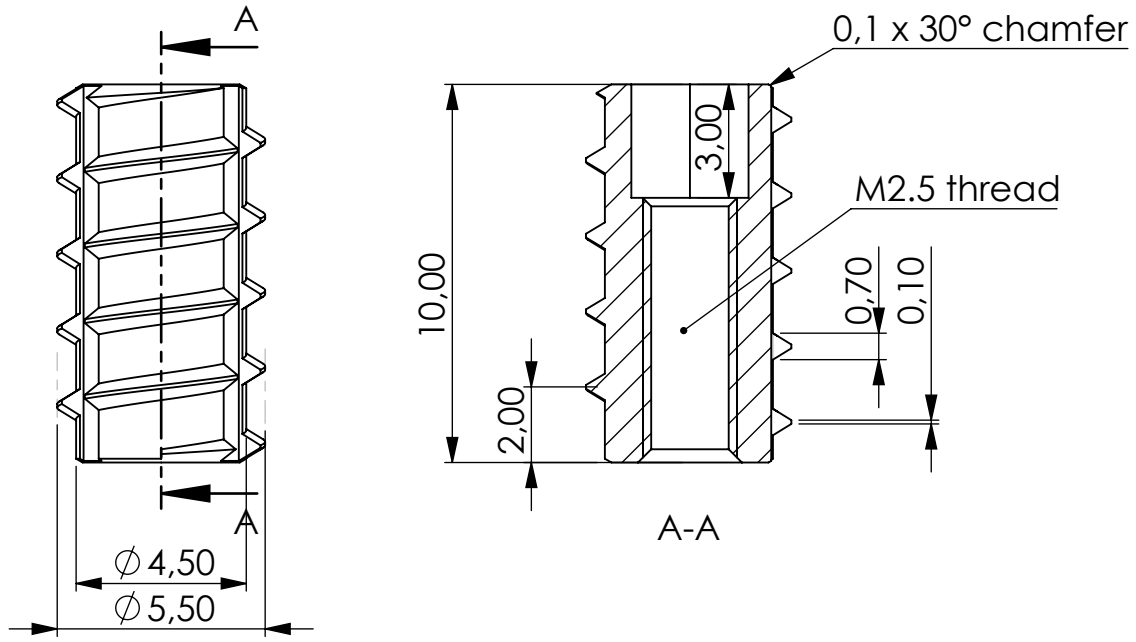


A

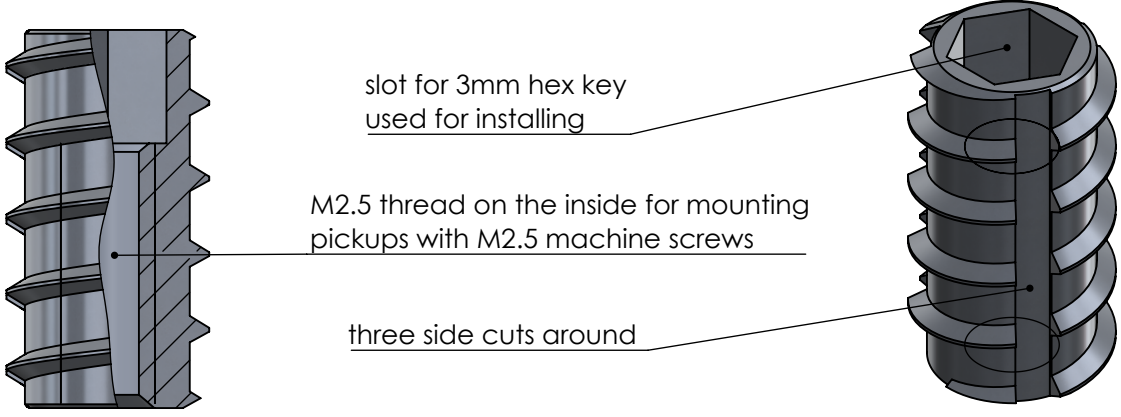


B



C

D



E



Warwick Gmbh & Co Music Equipment KG  
 Gewerbepark 46  
 D-08258 Markneukirchen  
 Tel : +49 (0) 37422 555 - 0  
 Fax : +49 (0) 37422 555- 9999  
 e-mail : info@warwick.de

F

	NAME	DATE
DRAWN		Freitag, 2. Juni 2023
CHK'D		A-01
Scale 5:1	SHEET 1 OF 3	A4

Pickup mounting inserts  
30710

**Copyright**  
 This drawing is the property of Warwick Gmbh & Co Music Equipment KG.  
 The information given on it is protected by copyright and any form of copying or reproduction is strictly forbidden.

A

example for installation with a 3mm hex screw

3mm hex key at least 60mm long or comparable drill bit

B

C

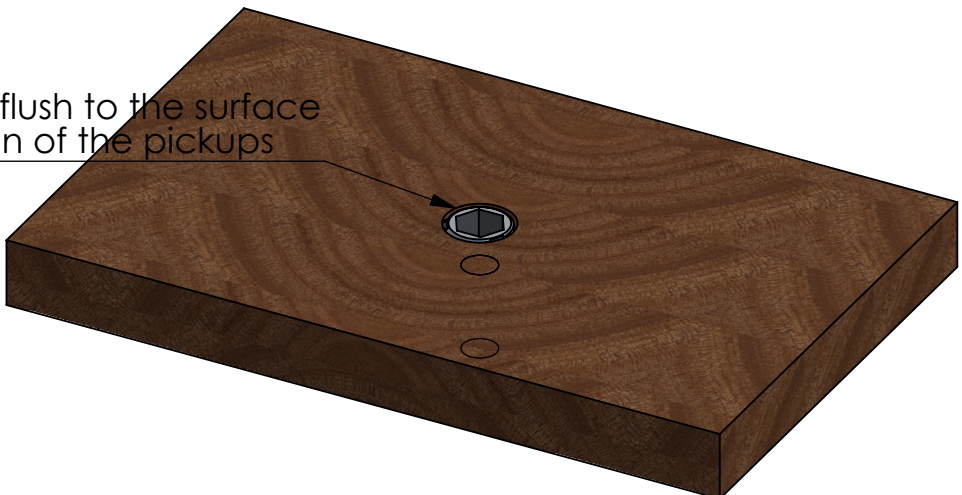
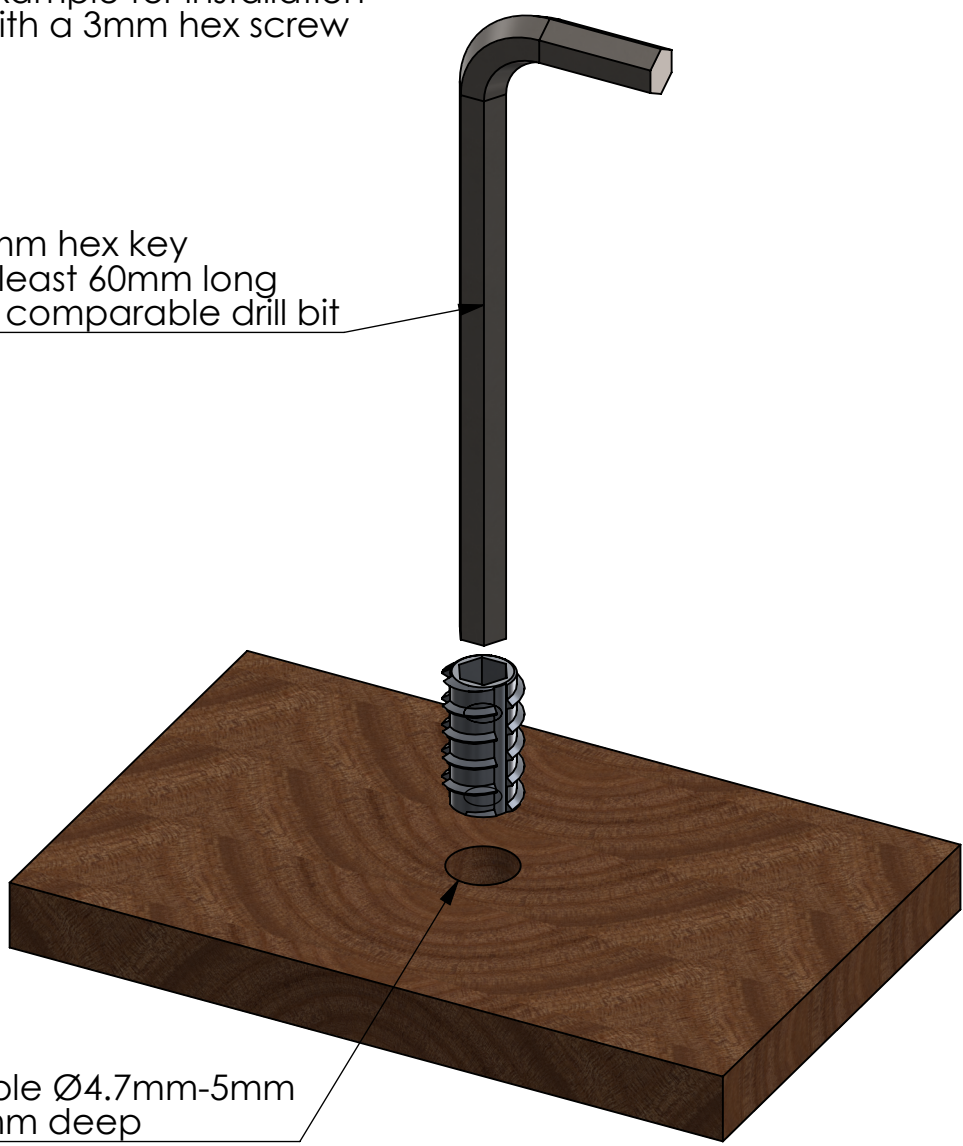
D

predrilled hole  $\varnothing 4.7\text{mm}-5\text{mm}$  at least 11mm deep

E

after installation flush to the surface before installation of the pickups

F



Warwick Gmbh & Co Music Equipment KG  
 Gewerbepark 46  
 D-08258 Markneukirchen  
 Tel : +49 (0) 37422 555 - 0  
 Fax : +49 (0) 37422 555- 9999  
 e-mail : info@warwick.de

	NAME	DATE
DRAWN		Freitag, 2. Juni 2023
CHK'D		A-01
	Scale 5:1	SHEET 2 OF 3
		<b>A4</b>

**Copyright**  
 This drawing is the property of Warwick Gmbh & Co Music Equipment KG.  
 The information given on it is protected by copyright and any form of copying or reproduction is strictly forbidden.