



Installation Manual for RockBoard® Mini Mounting MOD TRS TRS mounting solution for RockBoard® pedalboards English

Thank you for choosing the RockBoard® Mini Mounting MOD TRS. The Mini Mounting MOD TRS provides convenient access to the signal supply of the pedals on the board. It fits perfectly into the RockBoard® LED Light mounting holes and is a versatile, clean mounting solution on all RockBoard® series pedalboards. Central access to the signal supply is provided by a TRS 6.3 mm stereo jack socket.



Mounting

Step 1



Turn the RockBoard® pedalboard upside down.

Step 2



Insert the RockBoard® Mini Mounting MOD TRS into the large hole of the RockBoard® LED-Light and align the two threaded bushings with the mounting holes of the RockBoard® LED-Light.

Step 3



Use the included screws to hand-tighten the RockBoard® Mini Mounting MOD DC.

Step 4



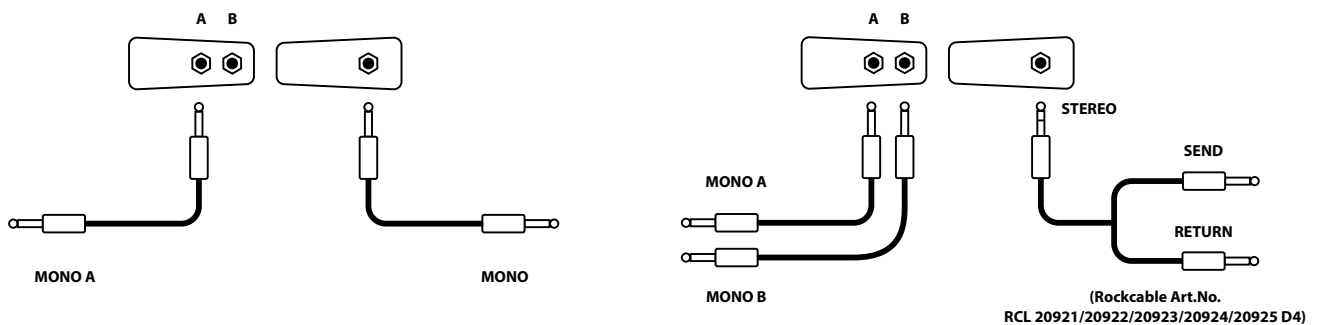
Connect the input of the first pedal to the inside jack A of the RockBoard® Mini Mounting MOD TRS by using a patch cable.

Step 5



Connect an instrument cable to the outside TRS connector.

Additional applications



Since the Mini Mounting MOD TRS uses through-connections between the inner and outer jacks, it is also possible to pass signals in the reverse direction to external pedals, such as Wah. Also, by using TRS stereo jacks, „send/return“ applications (A- = tip and B- = ring) are easy to realize.

Note: The manufacturer reserves the right to change these specifications without notice.